



# **GTCC8.23**

***NITRO & ELECTRIC***

2023

1. DIFFERENTIALS
2. DIFFERENTIALS
3. DIFFERENTIALS
4. DIFFERENTIALS
5. DIFFERENTIALS
6. GEAR BOX
7. GEAR BOX
8. GEAR BOX
9. CENTER SOLID SHAFT & MOTOR
10. CENTER MOUNT & BRAKE
11. CENTER MOUNT & BRAKE
12. CENTER SOLID SHAFT & MOTOR MOUNT
13. MOTOR MOUNT
14. REAR REINFORCEMENT BRACE
15. REAR BALL DRIVE SHAFT
16. RADIO CASE
17. BATTERY & RADIO MOUNT
18. REAR ASSEMBLING
19. REAR BULKHEAD
20. REAR REINFORCEMENT BRACE
21. REAR BALL DRIVE SHAFT
22. FRONT BULKHEAD
23. FRONT BALL DRIVE SHAFT
24. SERVO SAVER
25. SERVO SAVER
26. FRONT BULKHEAD & REINFORCEMENT BRACE

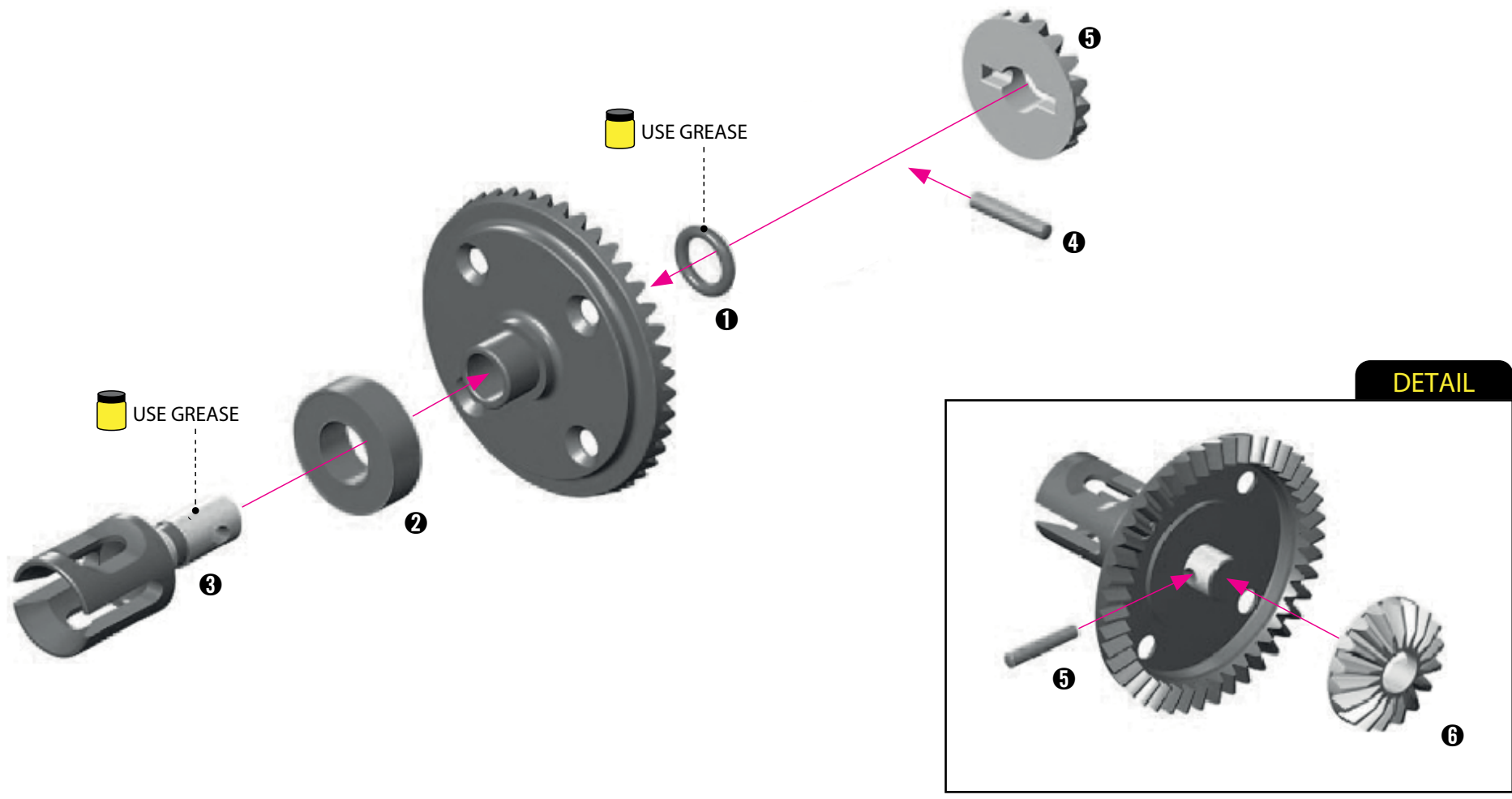
27. LOWER SUSPENSION ARMS REAR
28. REAR UPRIGHT
29. REAR ROLLBAR ARMS
30. REAR UPRIGHT & ARMS
31. REAR ANTI ROLL BAR
32. REAR ASSEMBLING
33. LOWER SUSPENSION ARMS FRONT
34. FRONT ANTI ROLL BAR
35. ASSEMBLING FRONT LOWER ARMS
36. FRONT UPRIGHT
37. FRONT UP ARMS & STEERING ARMS
38. ASSEMBLING FRONT UP ARMS
39. STEERING ARMS
40. FRONT ASSEMBLING
41. FRONT BAUMPER ASSEMBLING
42. SHOCK ABSORBERS
43. SHOCK SPRINGS & OILS
44. SPRINGS TABLE
45. SHOCK ASSEMBLING
46. GAS BRAKES ARMS
47. RADIO PLATE NITRO
48. RADIO PLATE ASSEMBLING
49. CLUTCH & FUEL TANK
50. CLUTCH ASSEMBLY
51. CLUTCH ASSEMBLY
52. OPTIONALS

## BAG INCLUDING IN THE KIT

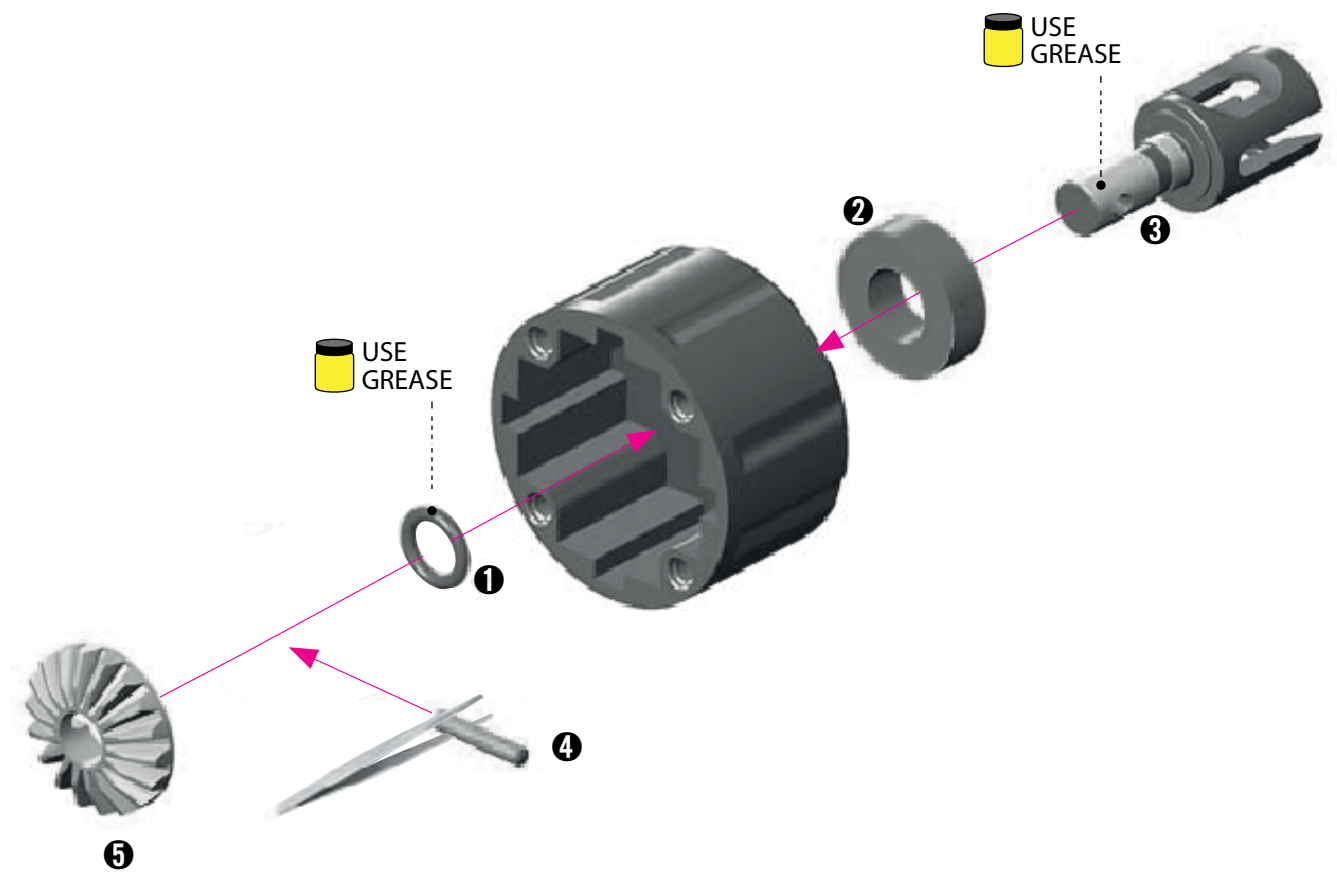
BAG NITRO
1
2
3
4
5
6
7
8
9
10
12
14
15

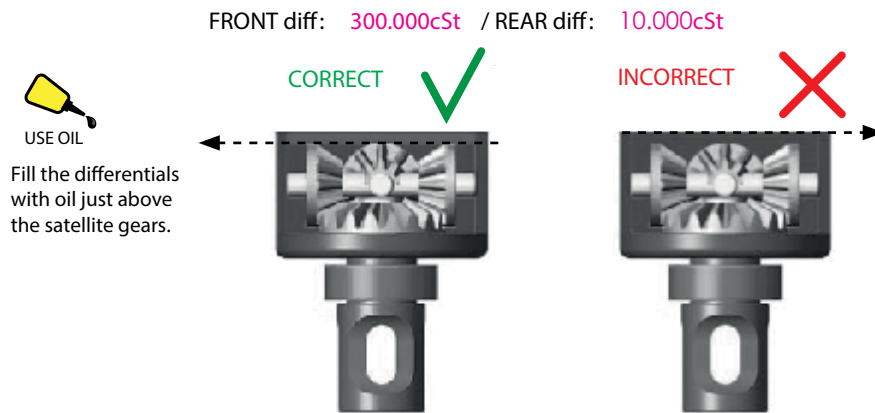
BAG ECO
1
3
5
6
7
8
9
10
11
12
13





2x

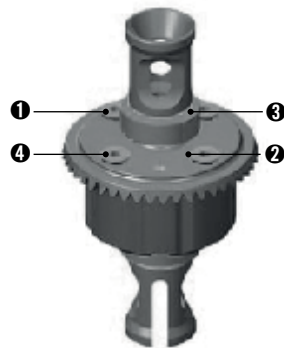




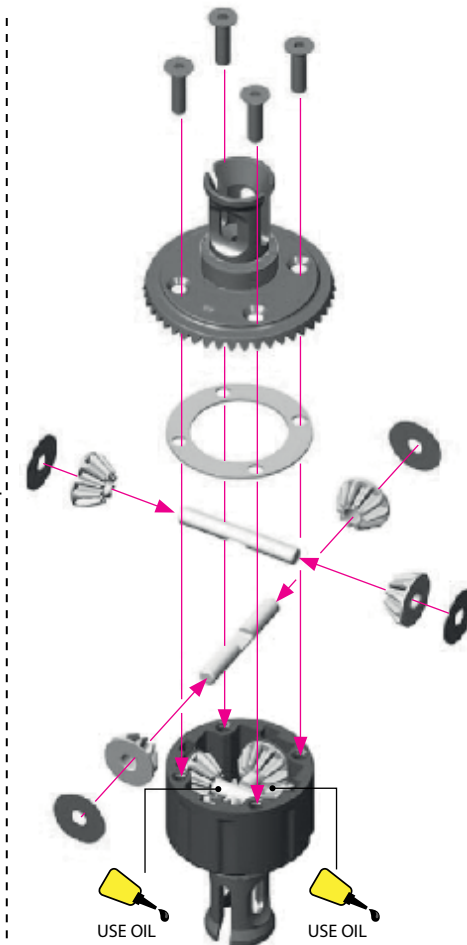
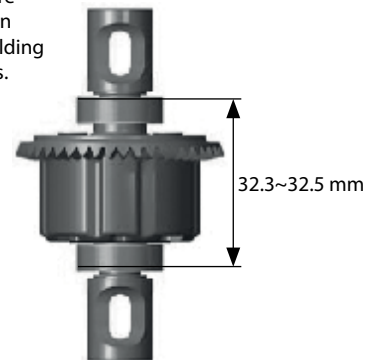
Tighten the screws equally



Finish tightening in this order



After assembly the differentials should have a length of 32.3~32.5 mm measured from the ends of the installed ball-bearings. If differentials are longer, retighten the 4 screws holding the crown gears.

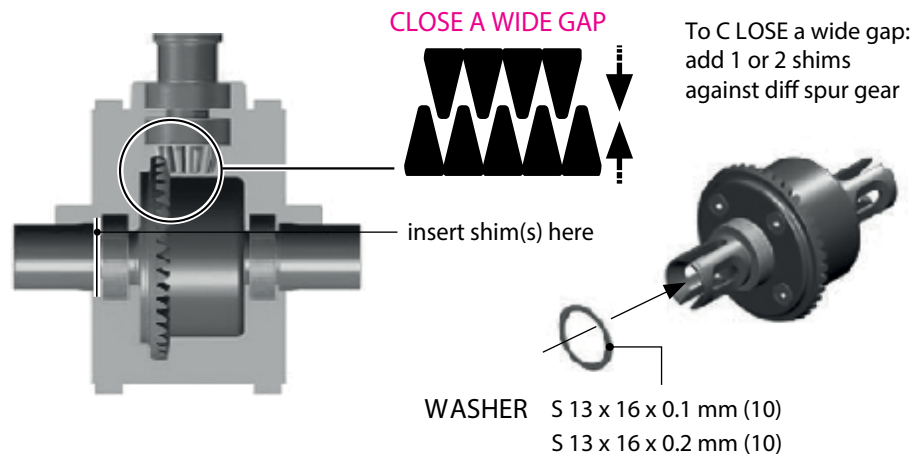


## FRONT & REAR DIFF GEAR MESH ADJUSTMENT

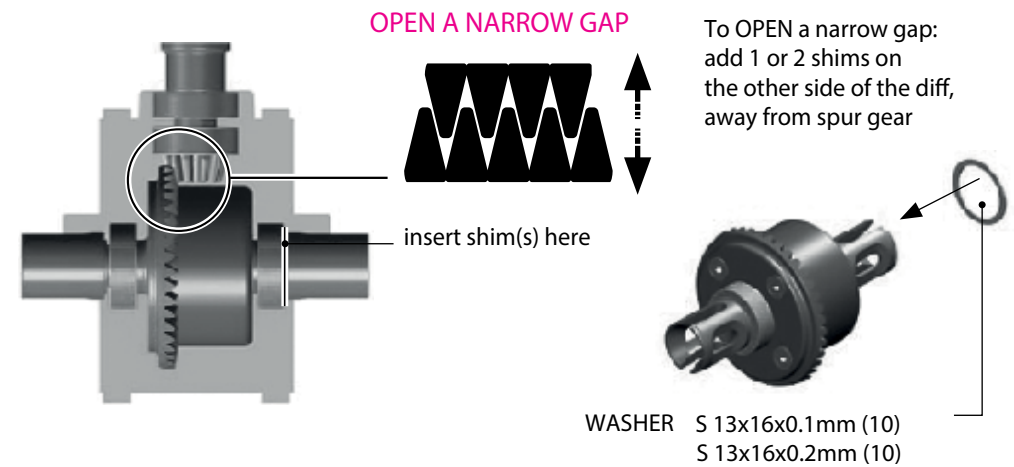
THE LOCATION OF THE SHIM(S) DEPENDS ON WHETHER YOU ARE TRYING TO CLOSE OR OPEN THE GAP.

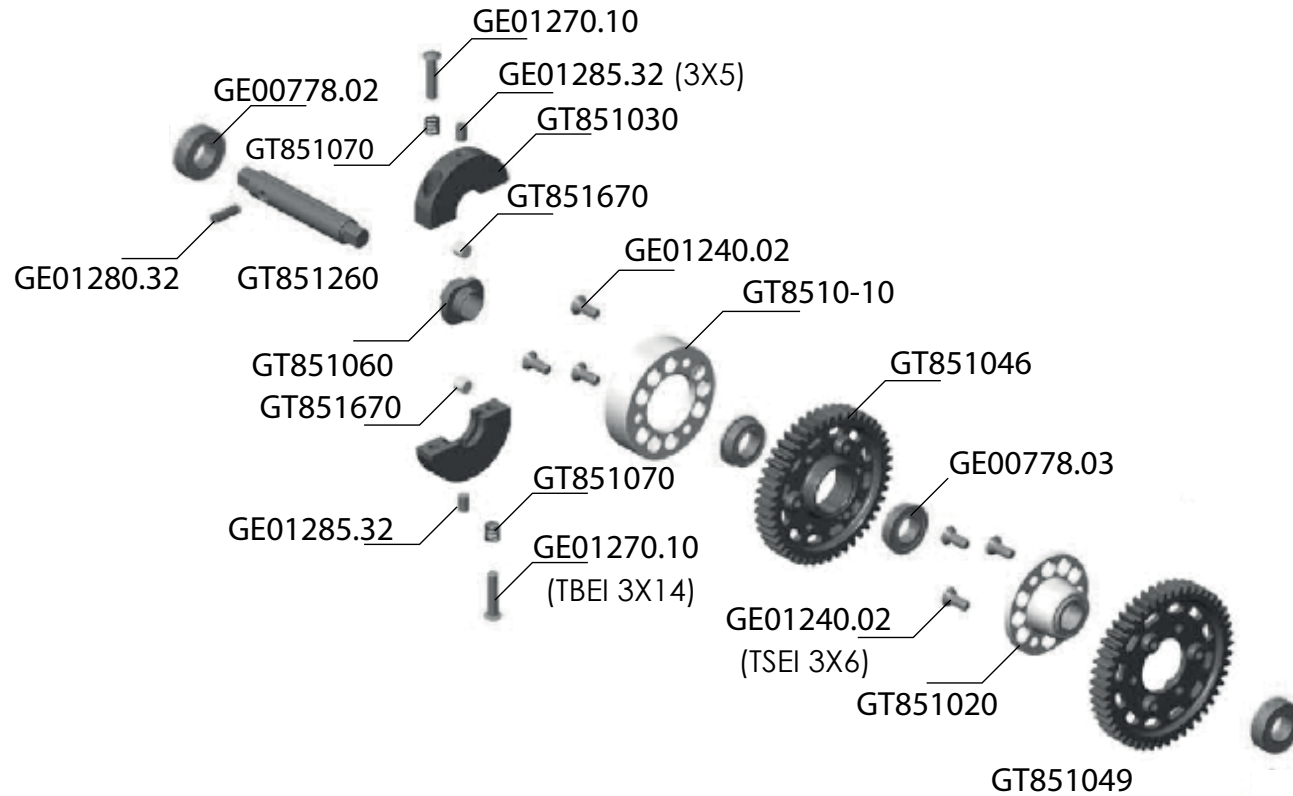
If there is too much or too little diff side play, this may create non-optimal gear mesh between the diff gear and the pinion drive gear. This is easily resolved by inserting 1 or 2 of the included thin shims behind a diff outdrive ball-bearing, depending on how much play there is.

TO CLOSE A WIDE GAP



TO OPEN A NARROW GAP





**COMPOSITE 2-SPEED GEARS**

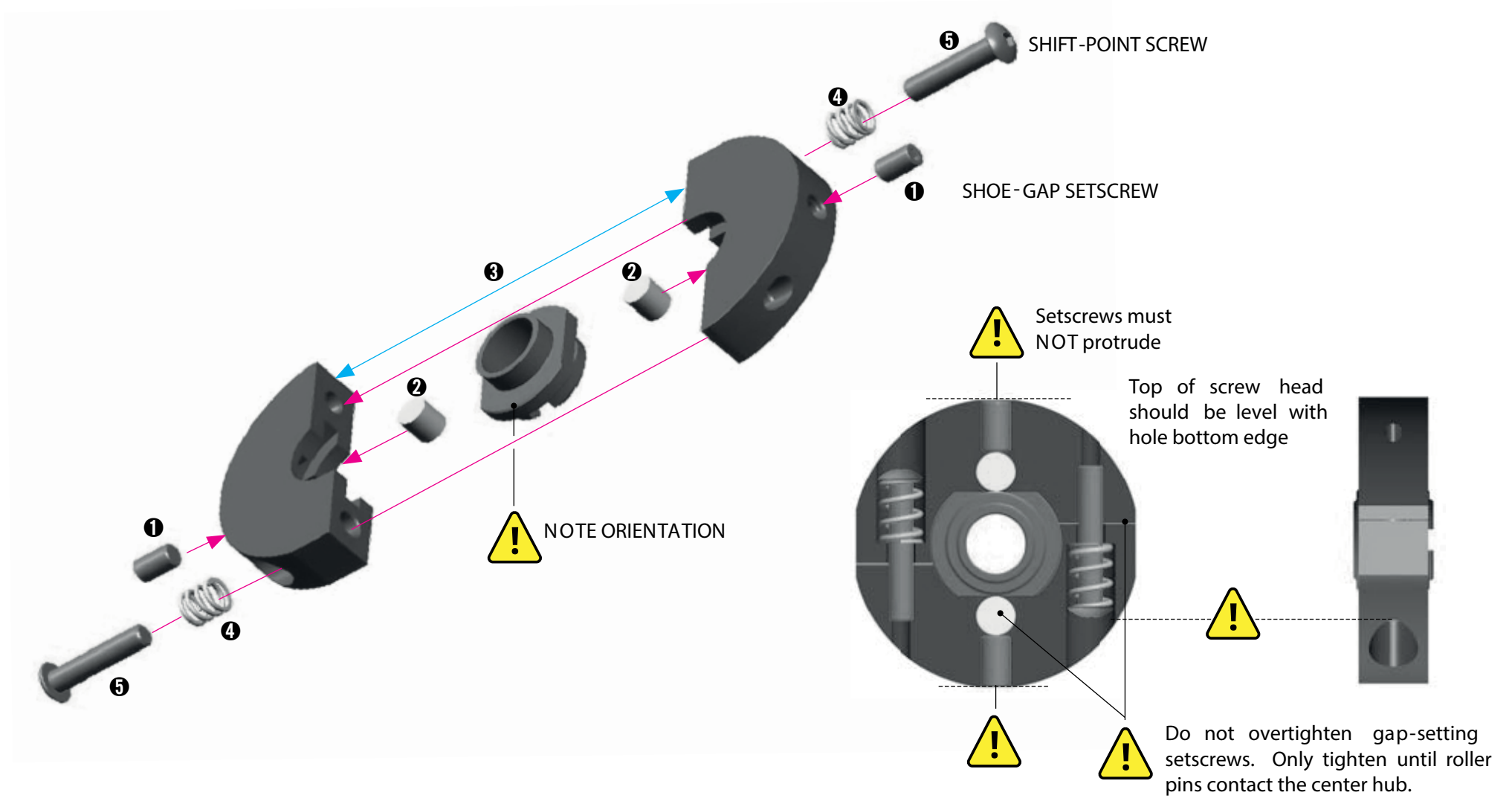
GT851045	45T	2nd
GT851046	46T	2nd
GT851047	47T	2nd
GT851048	48T	1st
GT851049	49T	1st
GT851050	50T	1st

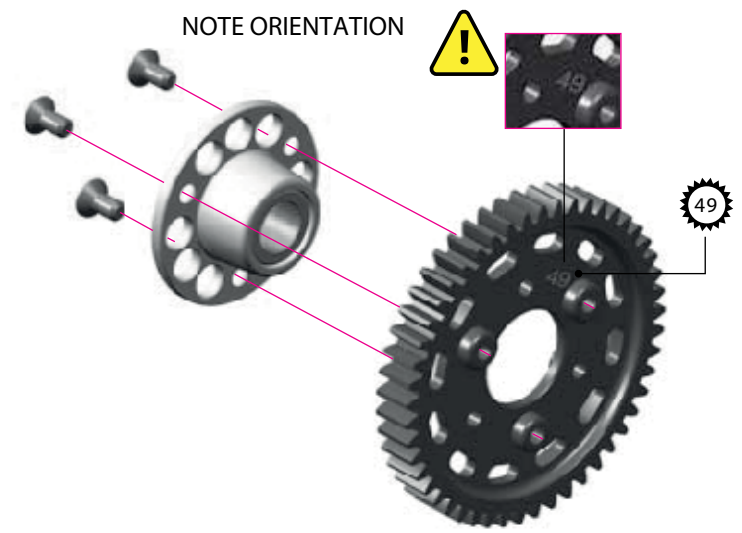
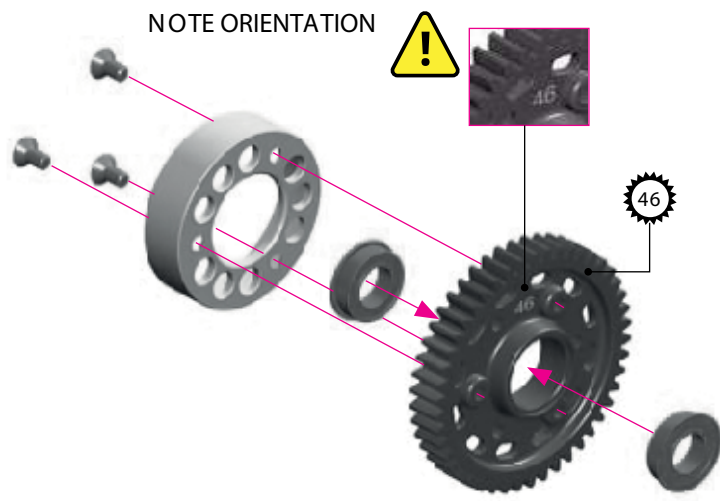
**GRAPHITE 2-SPEED GEARS  
LONG LIFE (RECOMMENDED)**

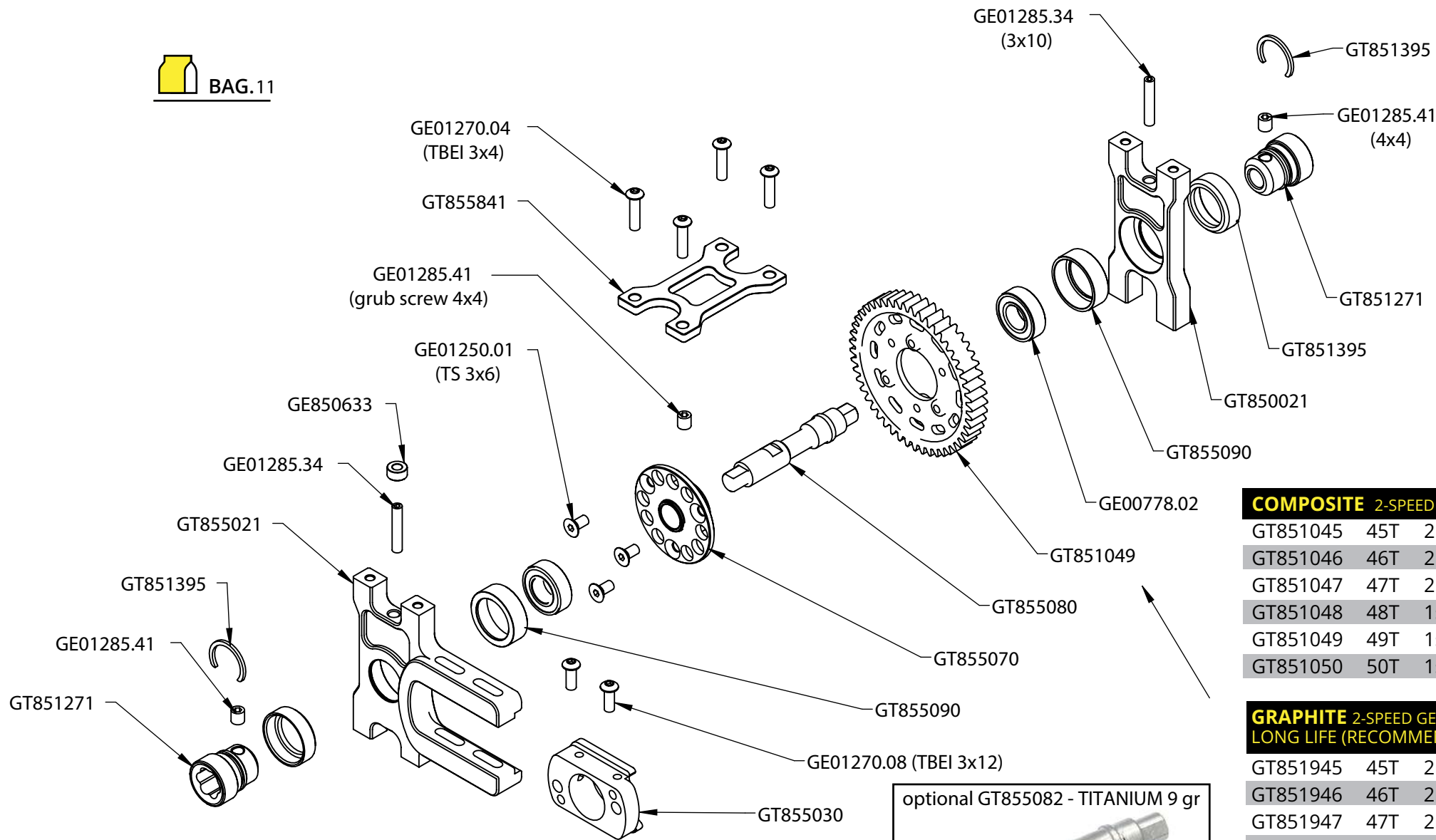
GT851945	45T	2nd
GT851946	46T	2nd
GT851947	47T	2nd
GT851948	48T	1st
GT851949	49T	1st
GT851950	50T	1st











**COMPOSITE 2-SPEED GEARS**

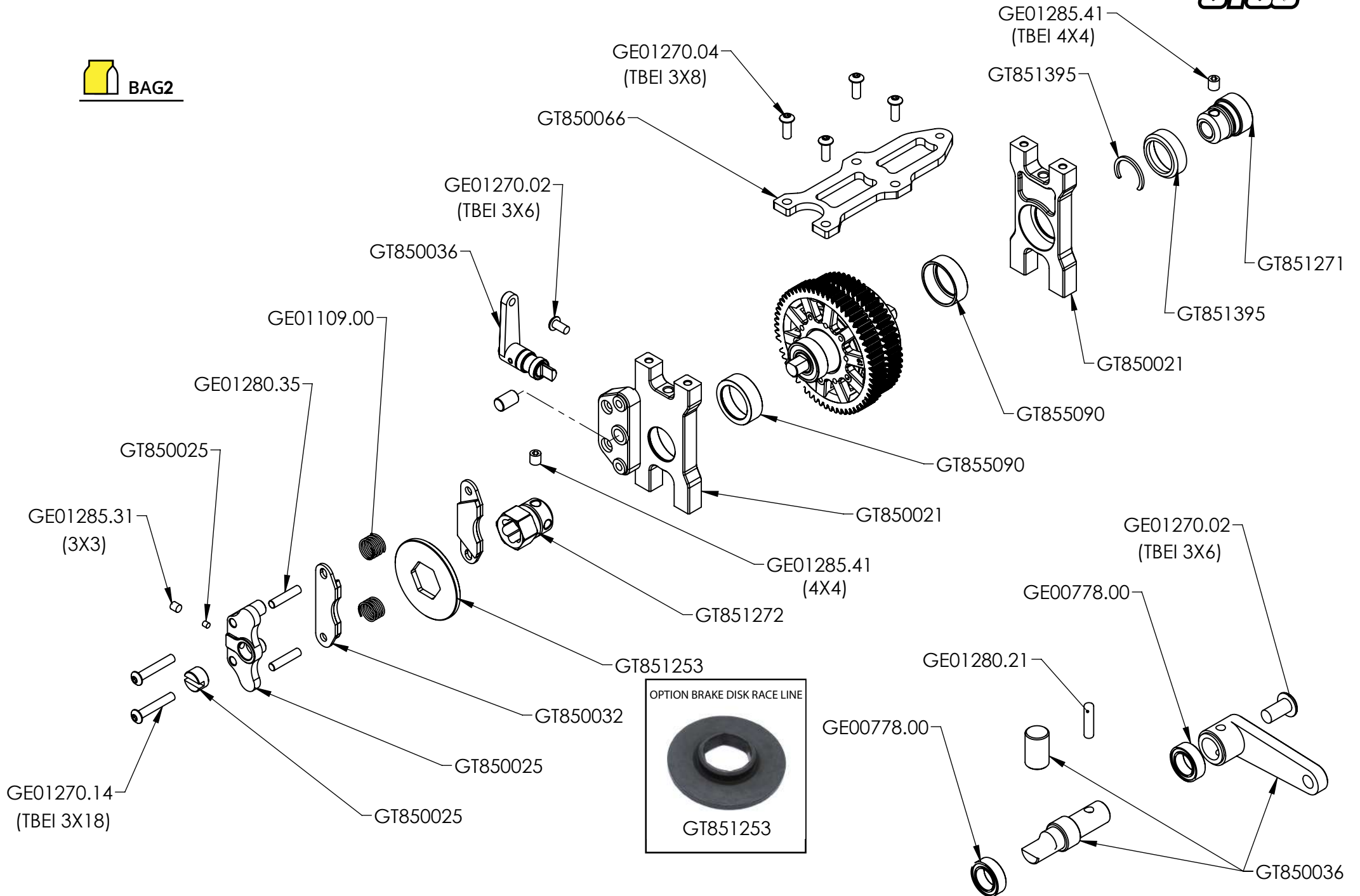
GT851045	45T	2nd
GT851046	46T	2nd
GT851047	47T	2nd
GT851048	48T	1st
GT851049	49T	1st
GT851050	50T	1st

**GRAPHITE 2-SPEED GEARS  
LONG LIFE (RECOMMENDED)**

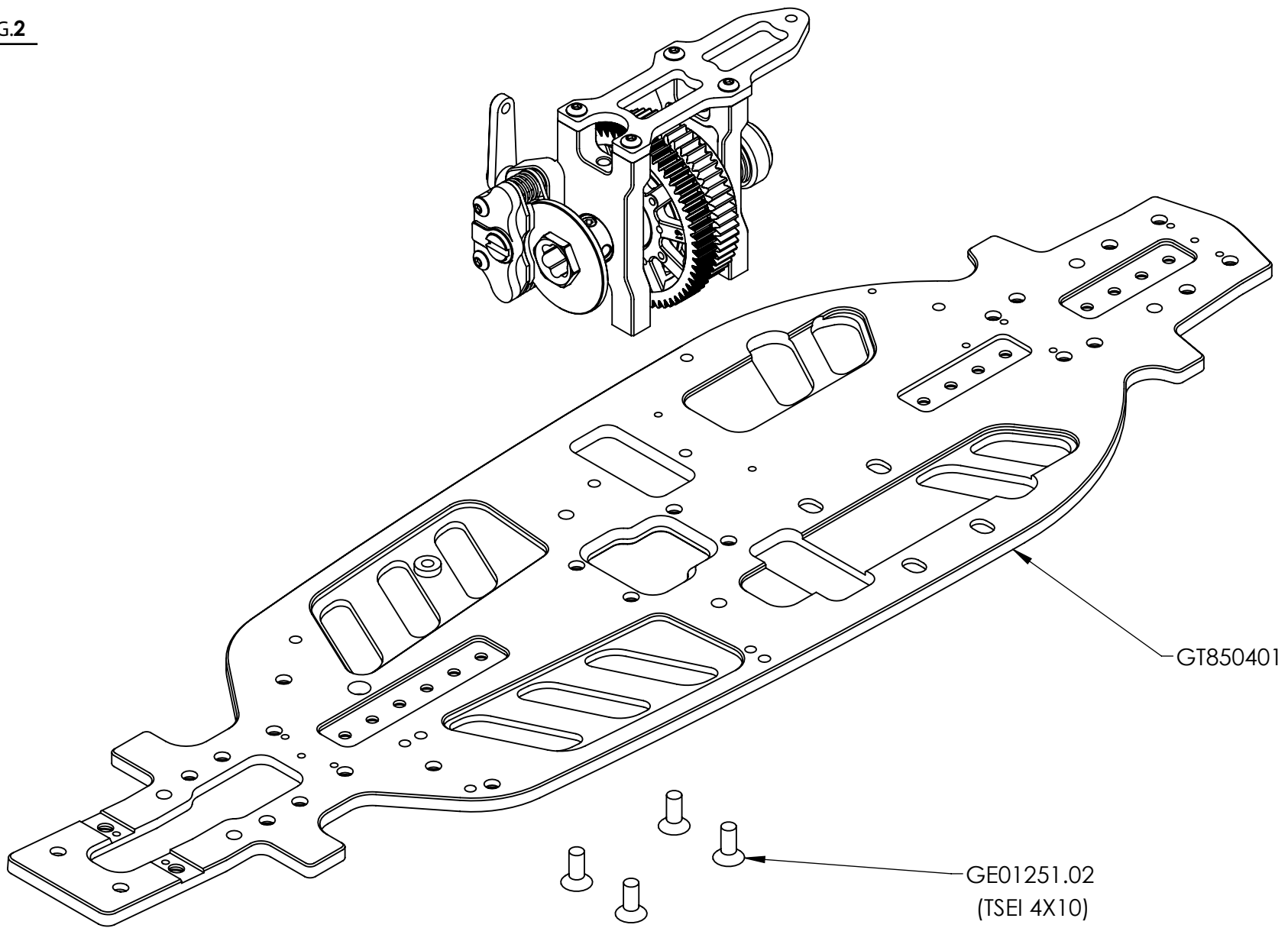
GT851945	45T	2nd
GT851946	46T	2nd
GT851947	47T	2nd
GT851948	48T	1st
GT851949	49T	1st
GT851950	50T	1st

optional GT855082 - TITANIUM 9 gr





 BAG.2

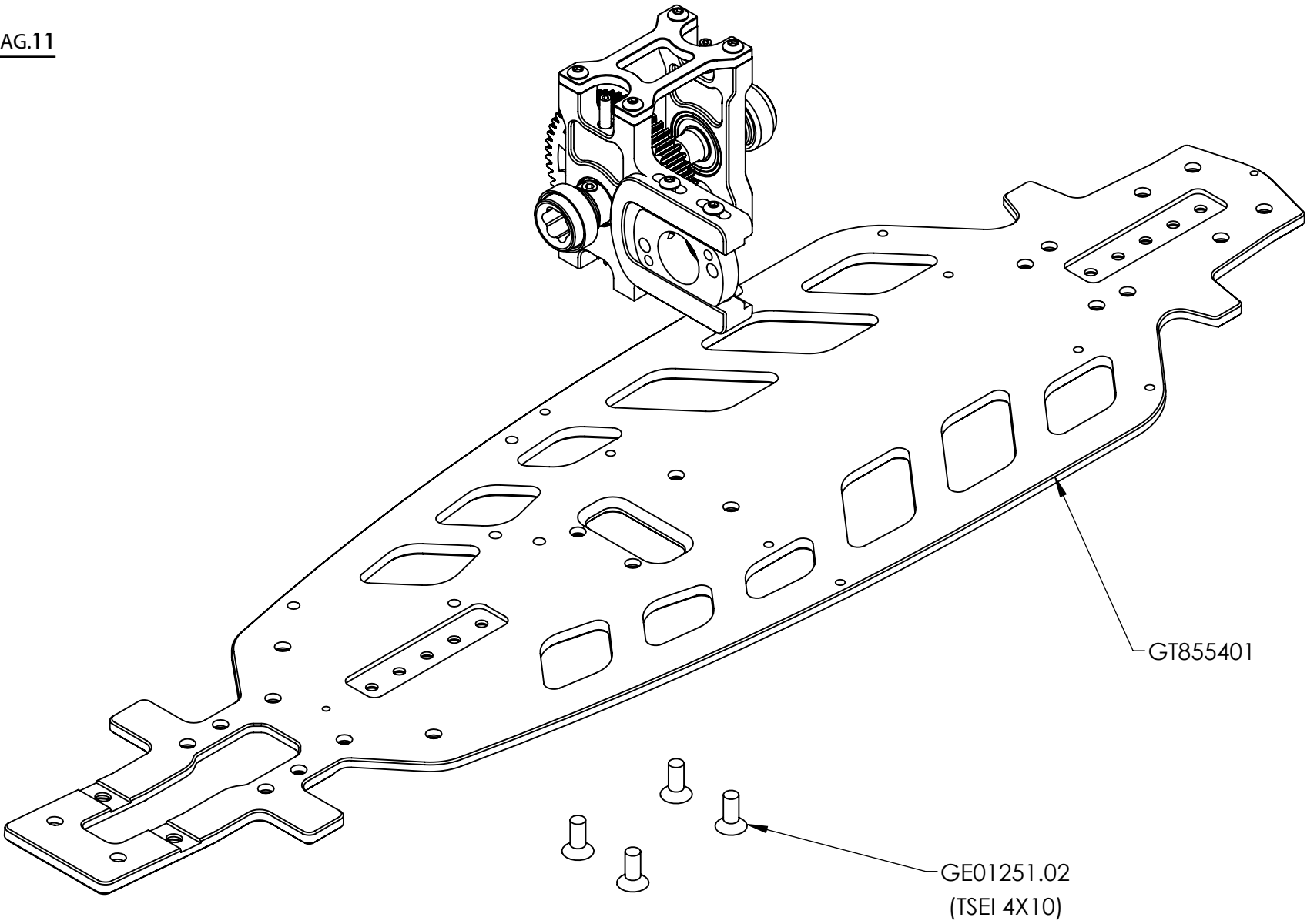


GT850401

GE01251.02  
(TSEI 4X10)



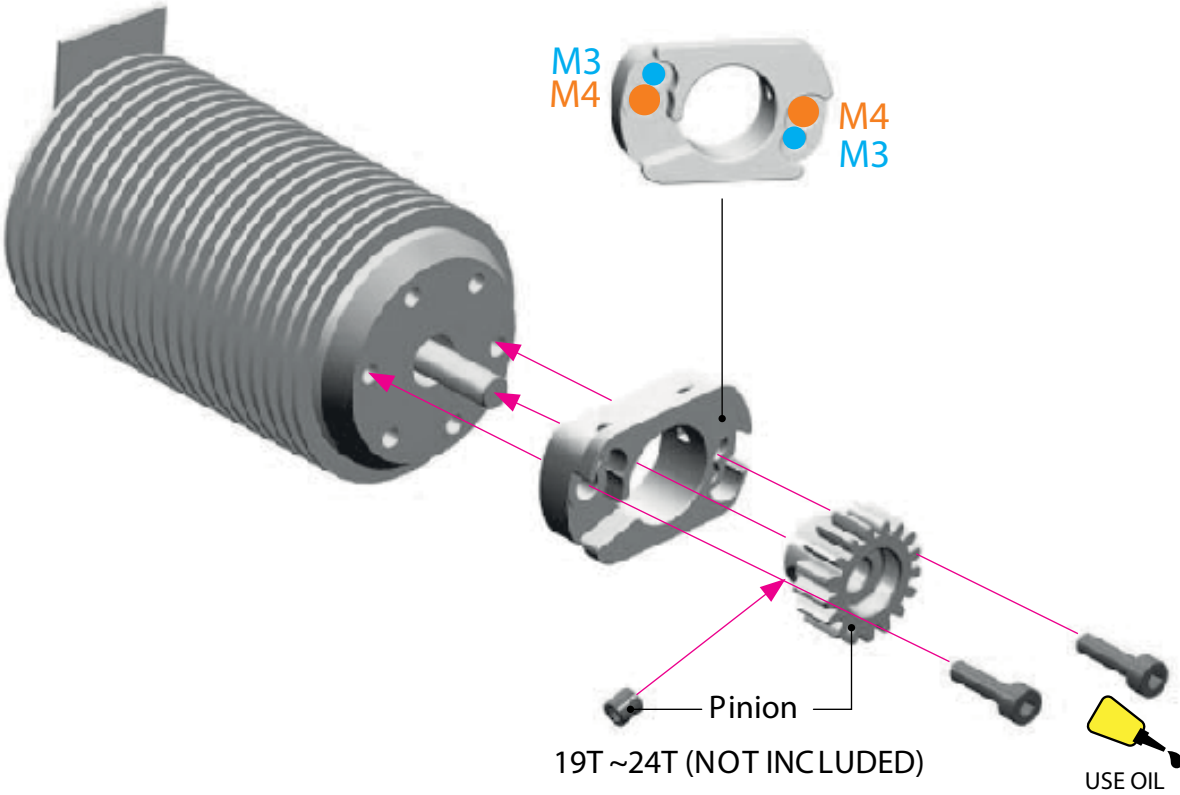
BAG.11



GT855401

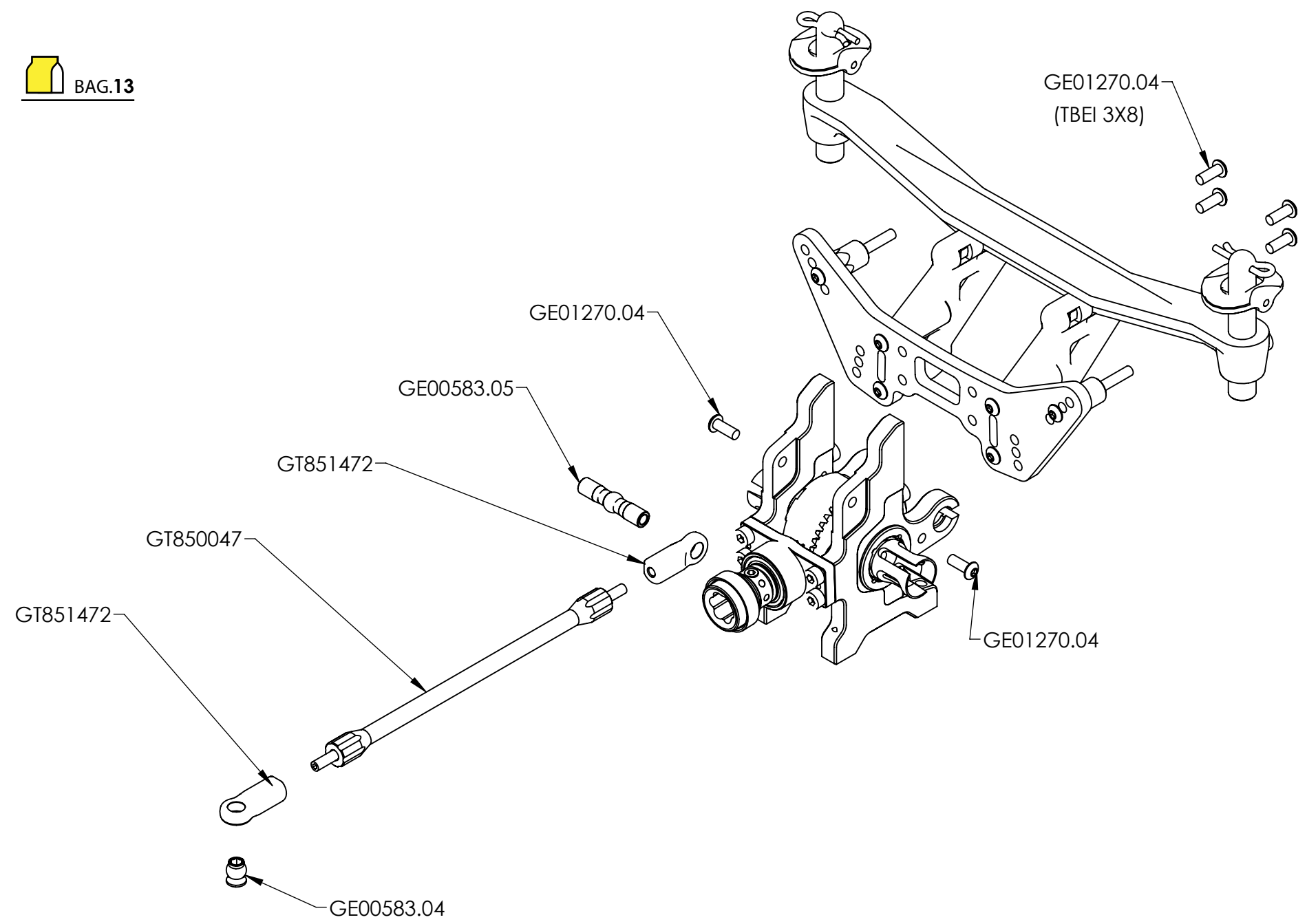
GE01251.02  
(TSEI 4X10)

 BAG.11

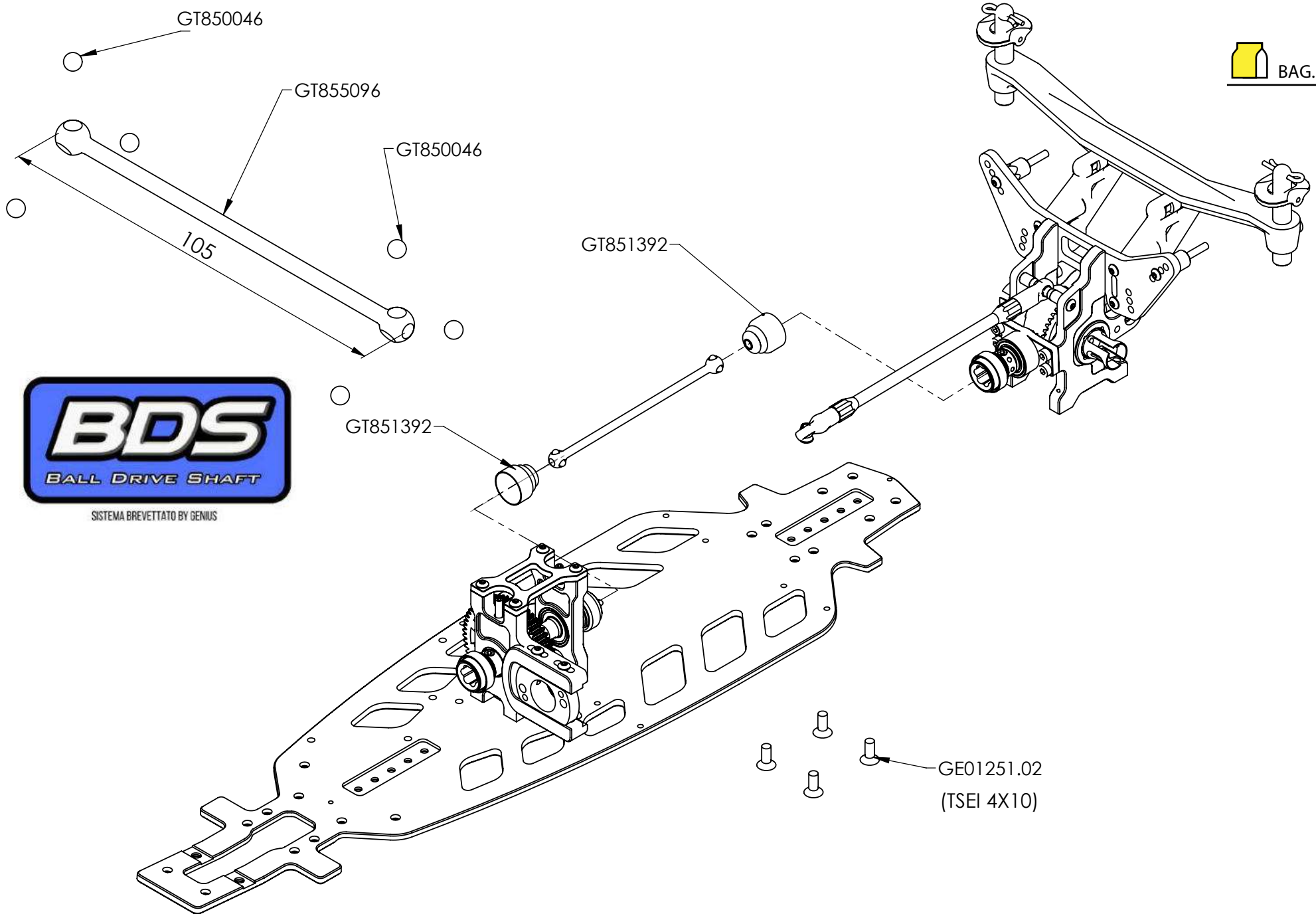


Use M3 or M4 screws which fit your motor.  
(M4 INITIAL SETTING)

 BAG.13

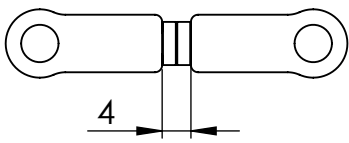
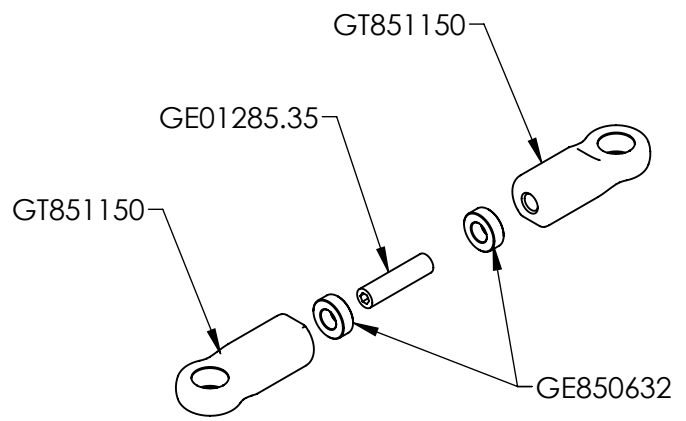




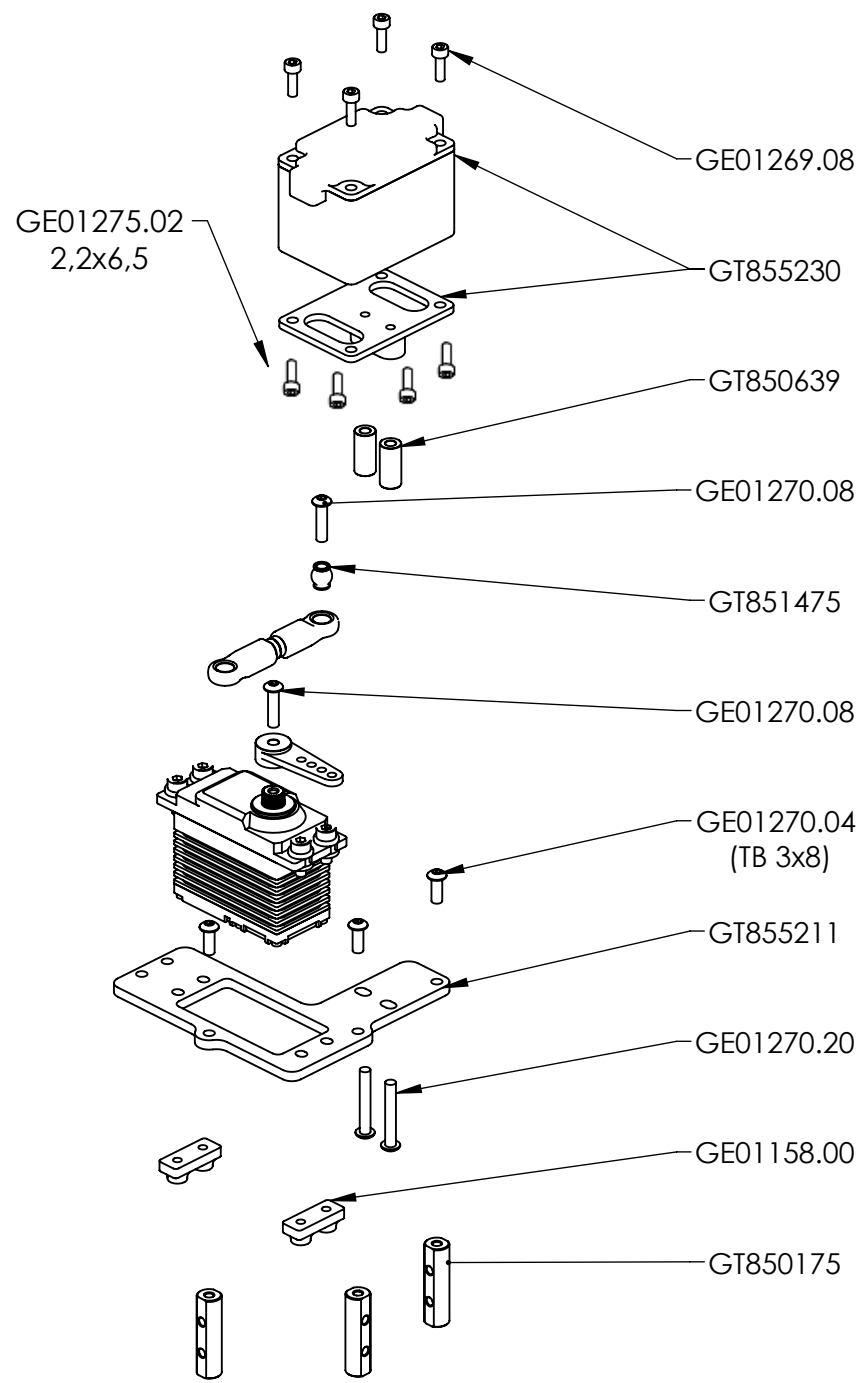




BAG.13

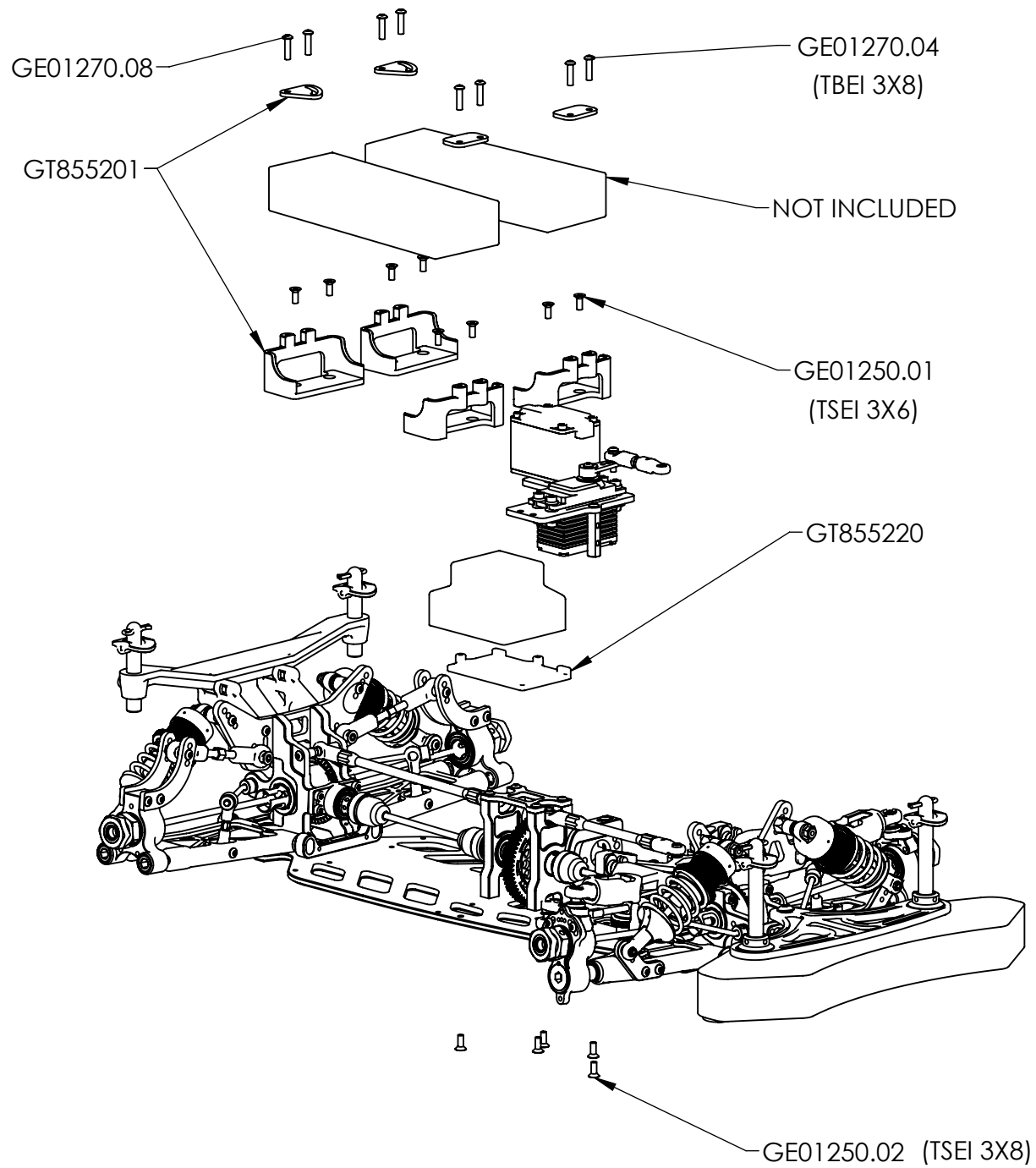


STANDARD SETTING

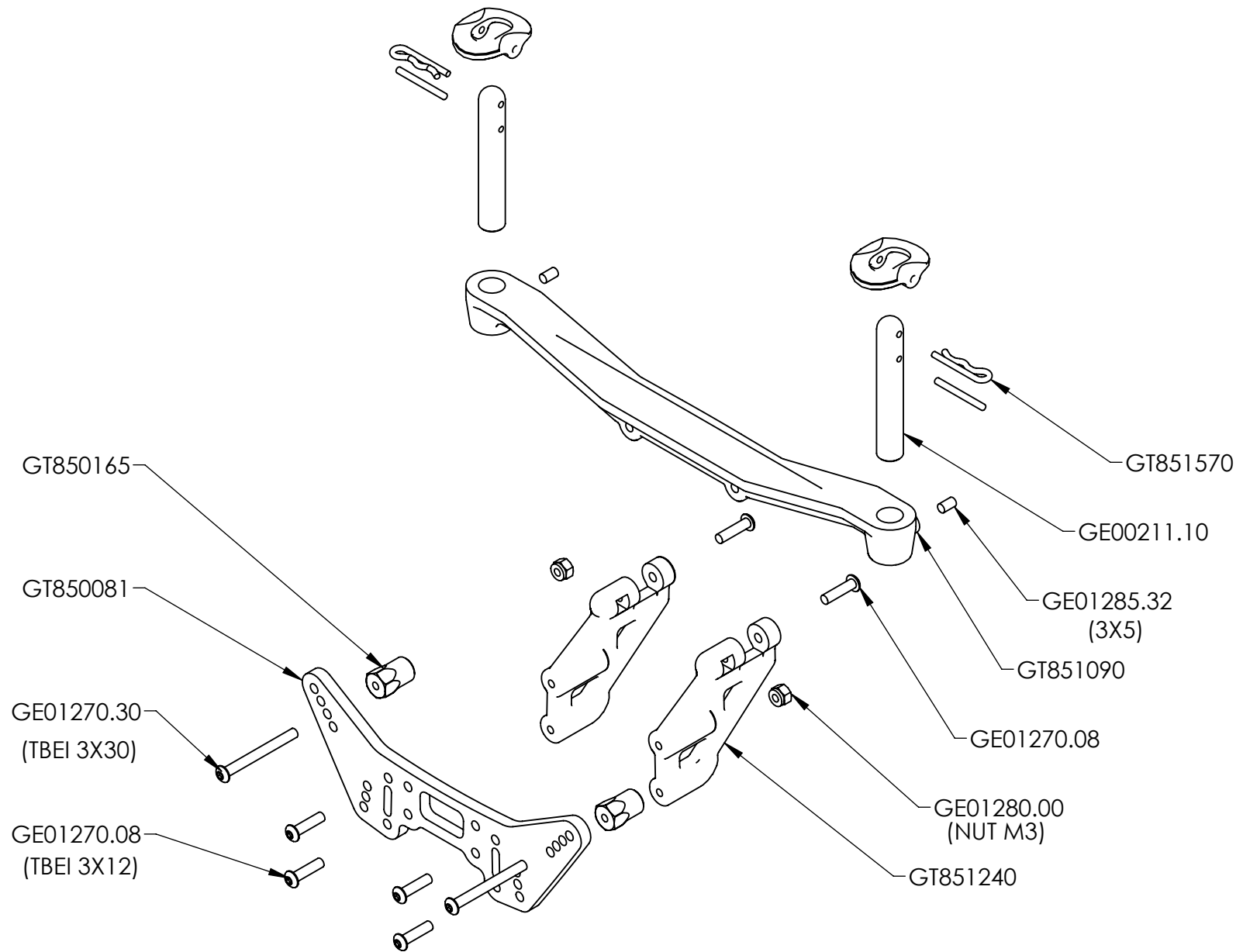


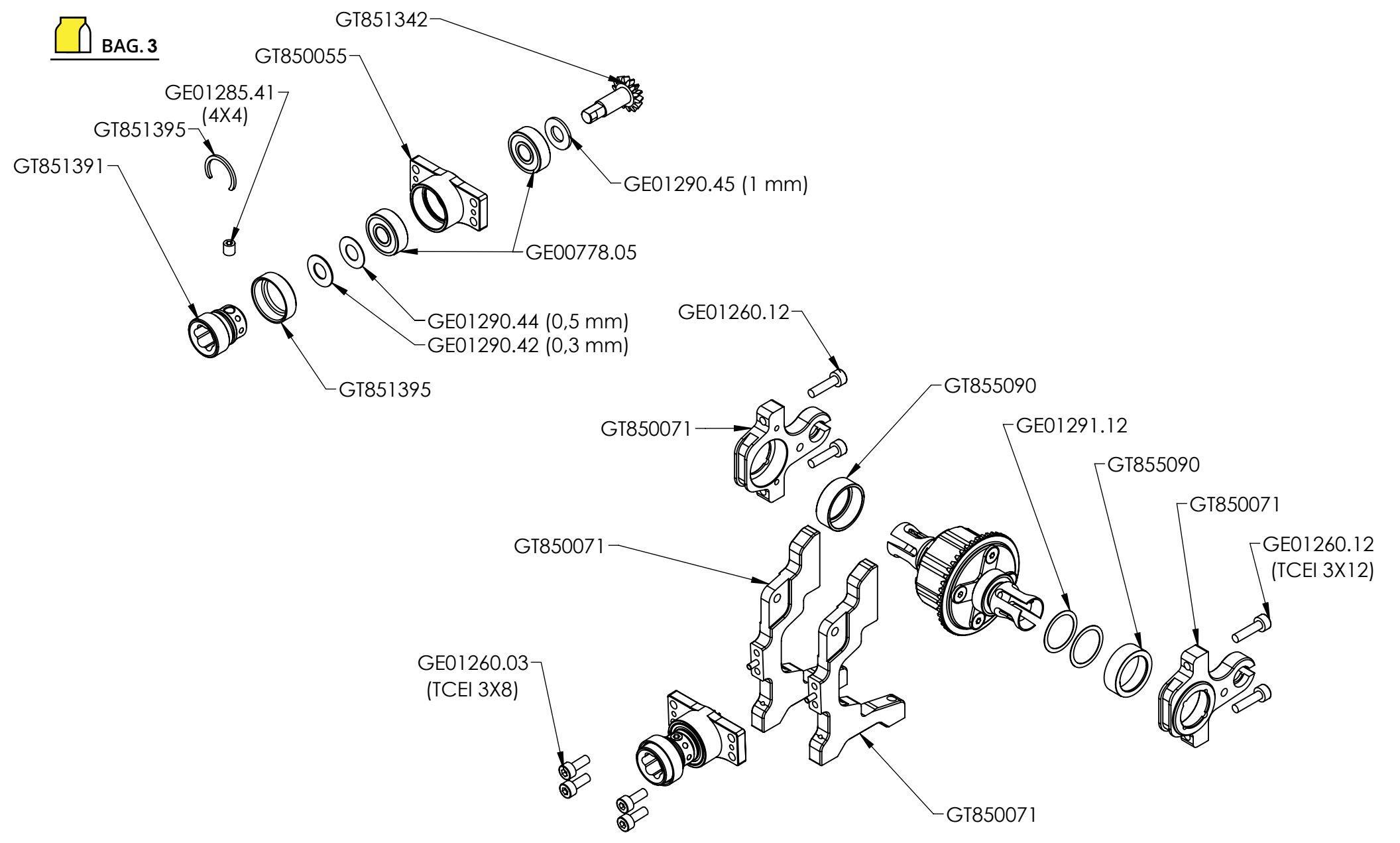


BAG.13

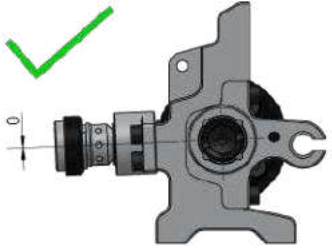
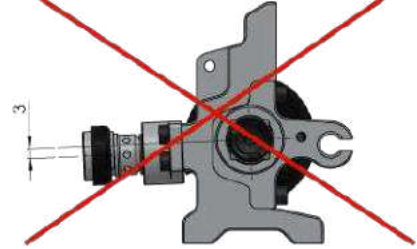
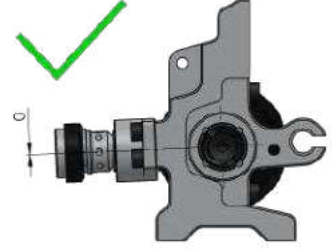



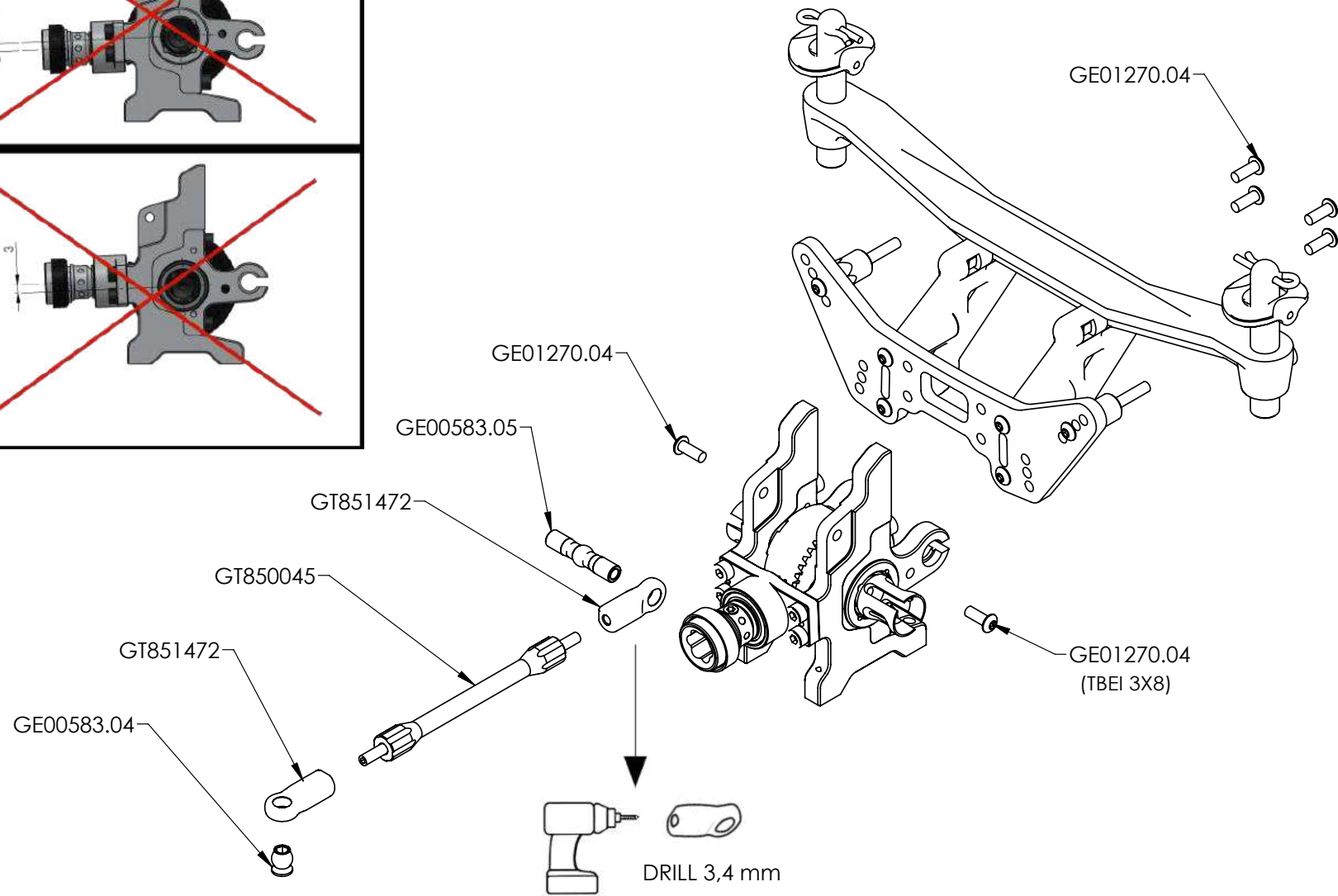
 BAG.3



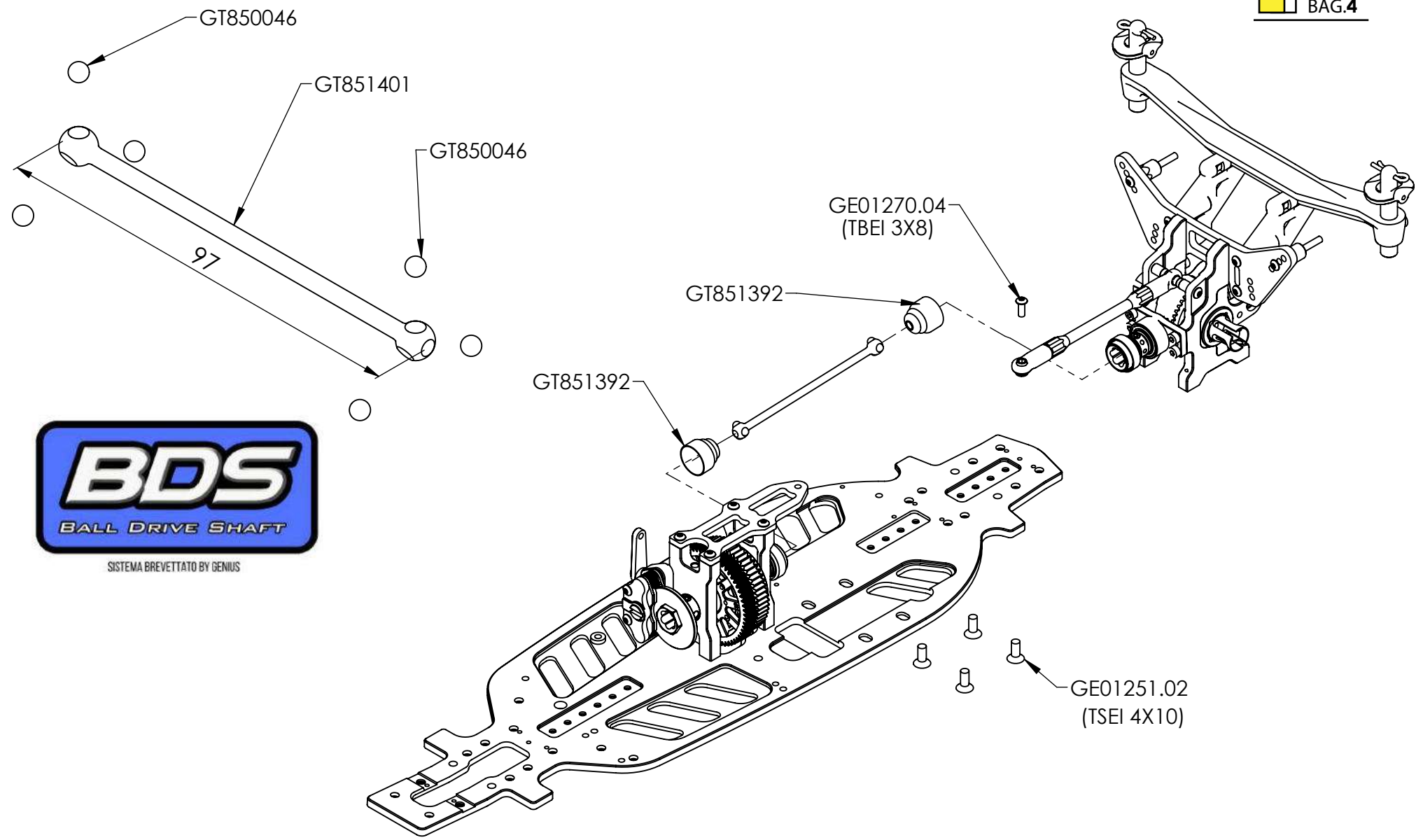


 BAG.4

	CORRECT	ERROR
Hight		
Lower		

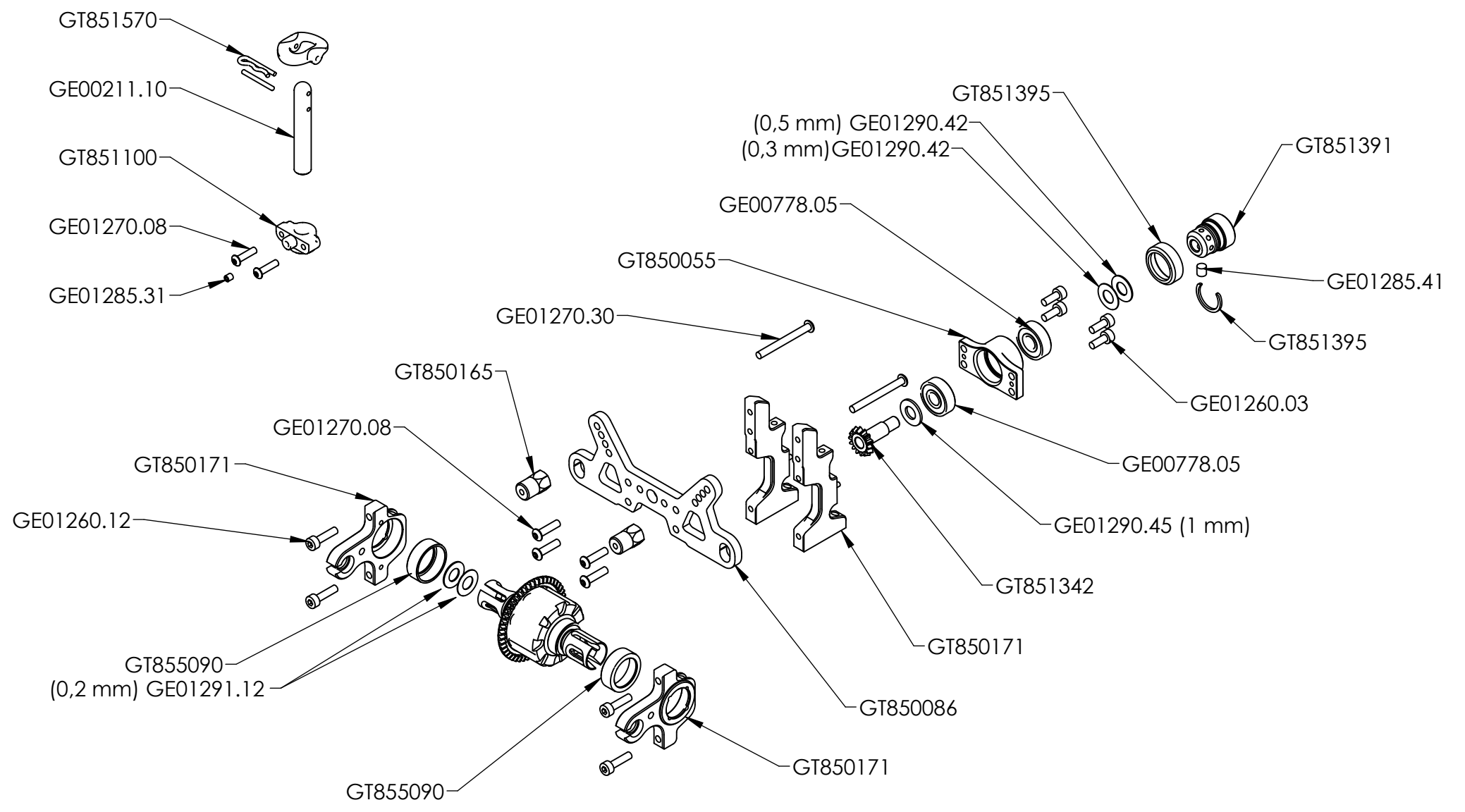


 BAG.4

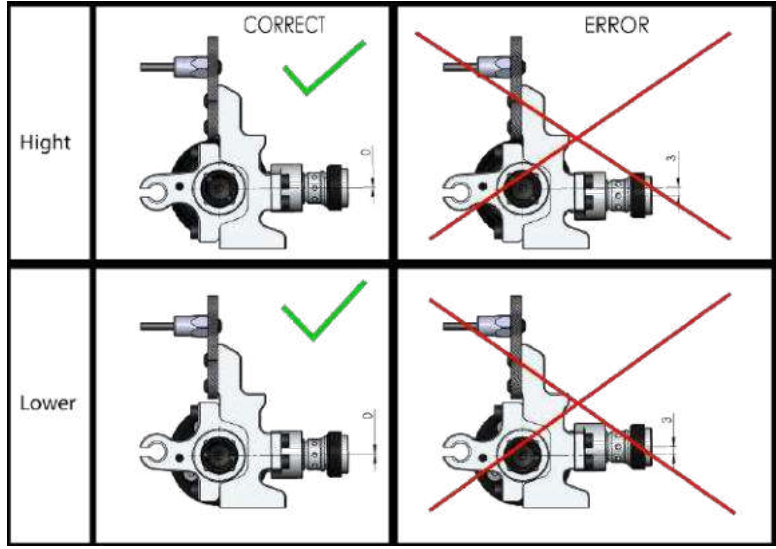


SISTEMA BREVETTATO BY GENIUS

OPTIONAL







 BAG.5

Hight

Lower

GT851401

GT851392

GT850046

GT851401

GT850046

97

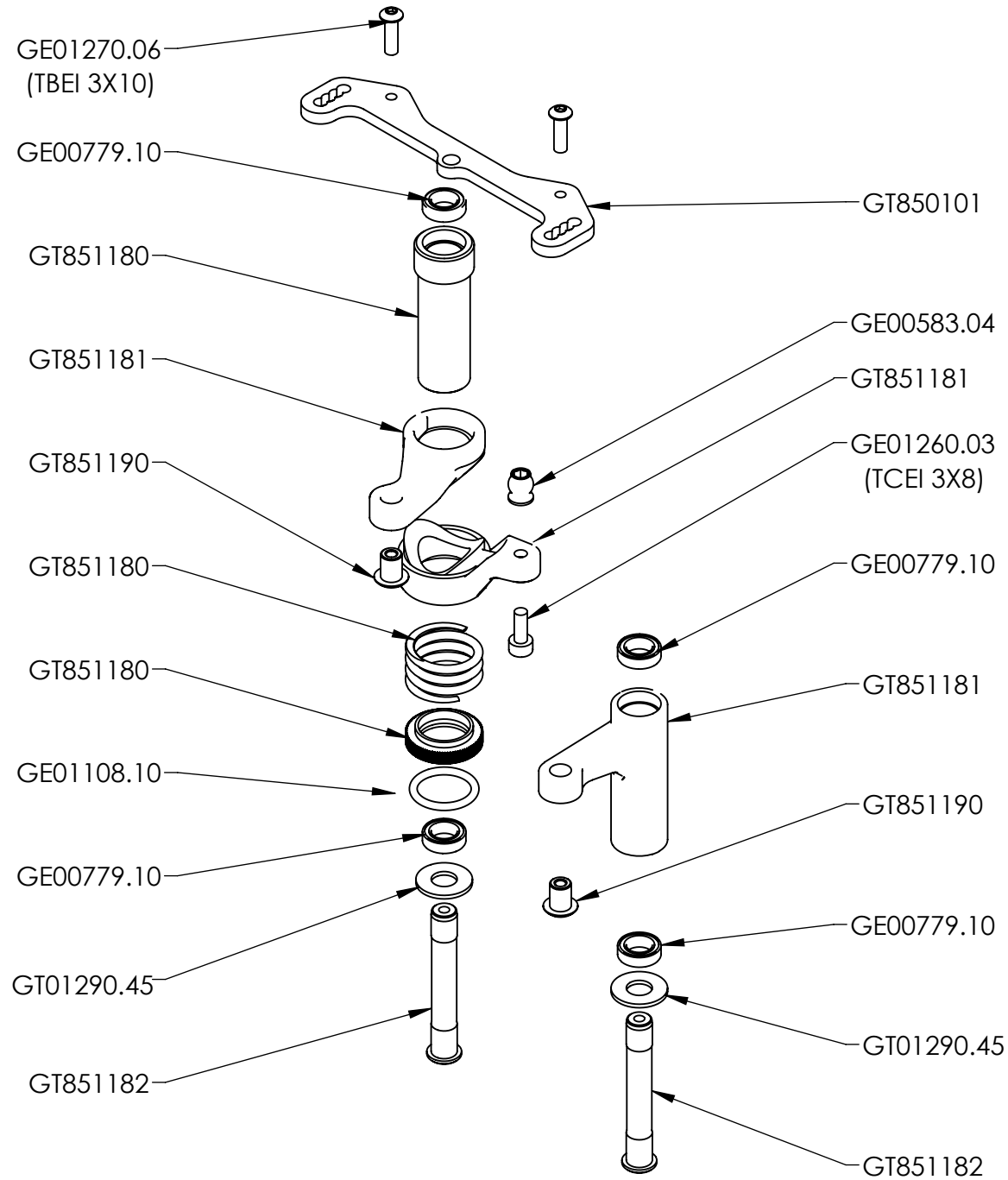
GE01251.02  
(TSEI 4X10)



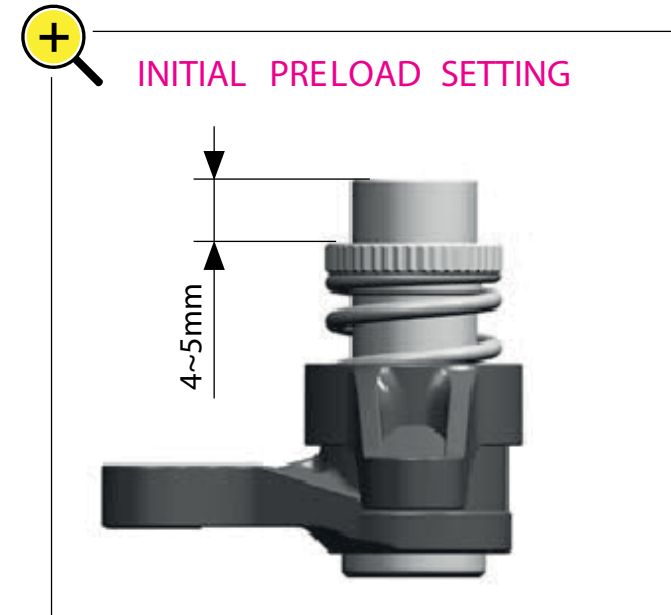
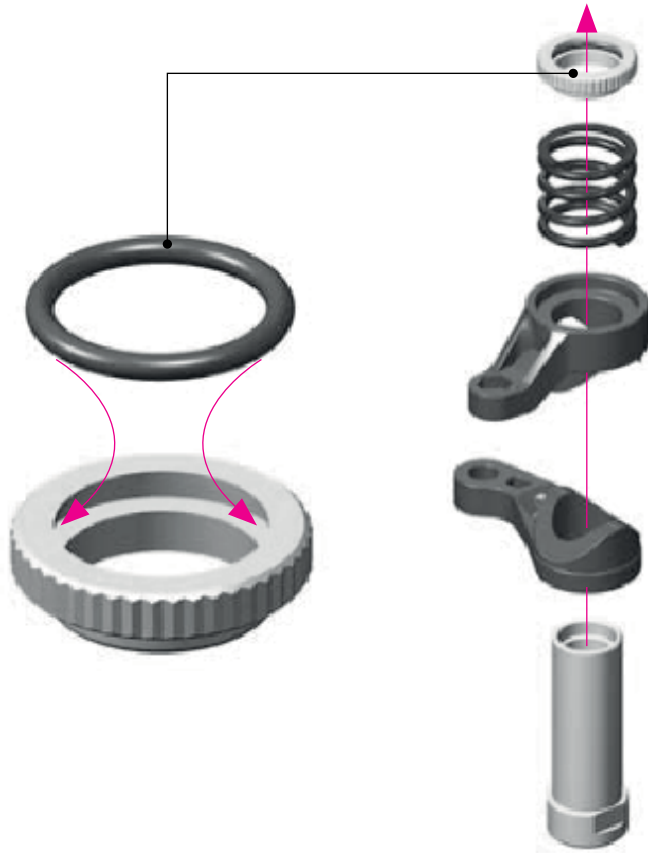
SISTEMA BREVETTATO BY IRNIS



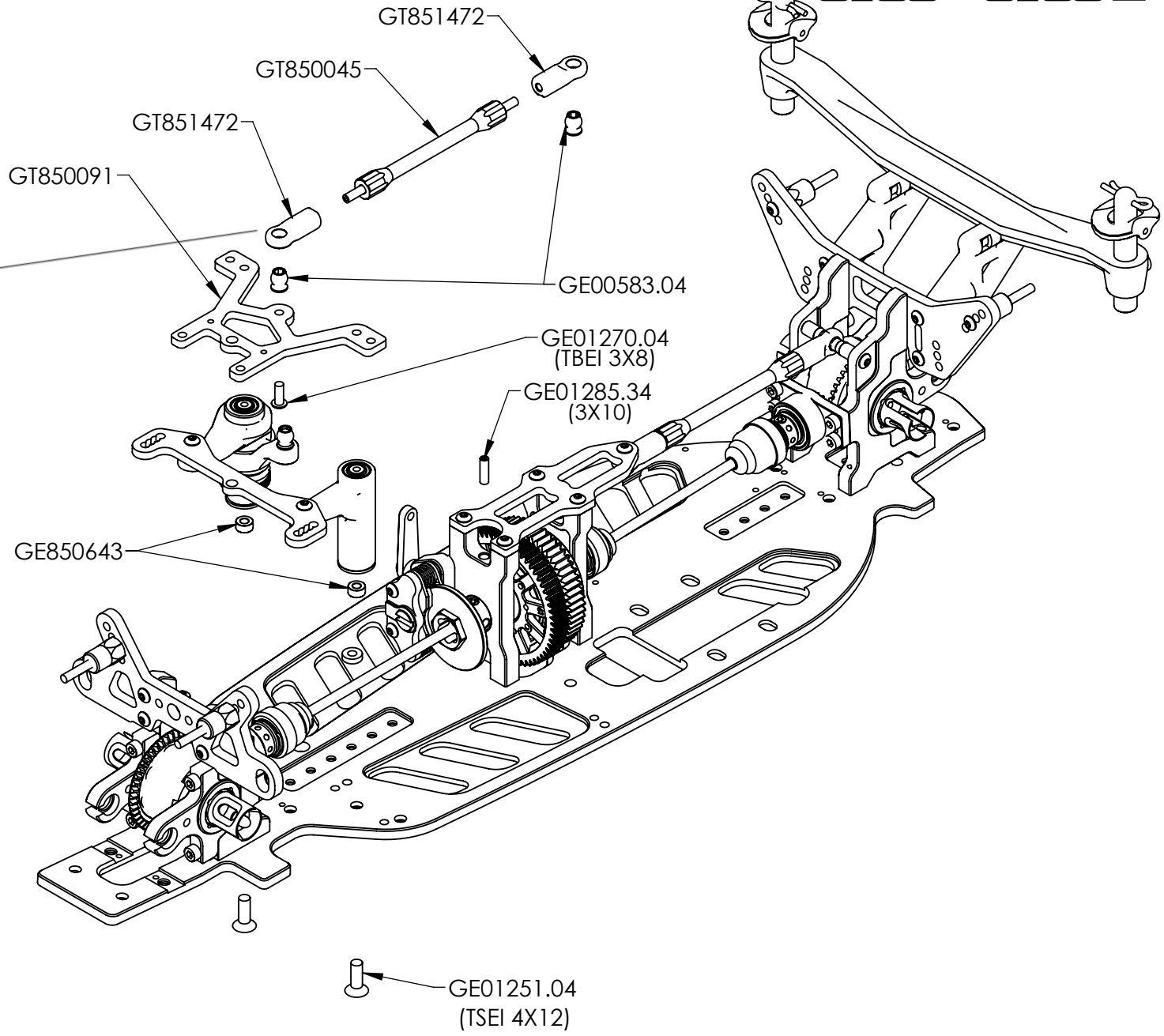
BAG.6

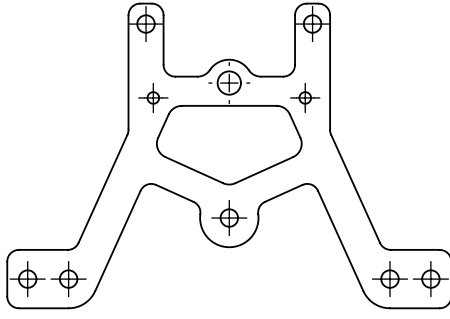


 BAG.6



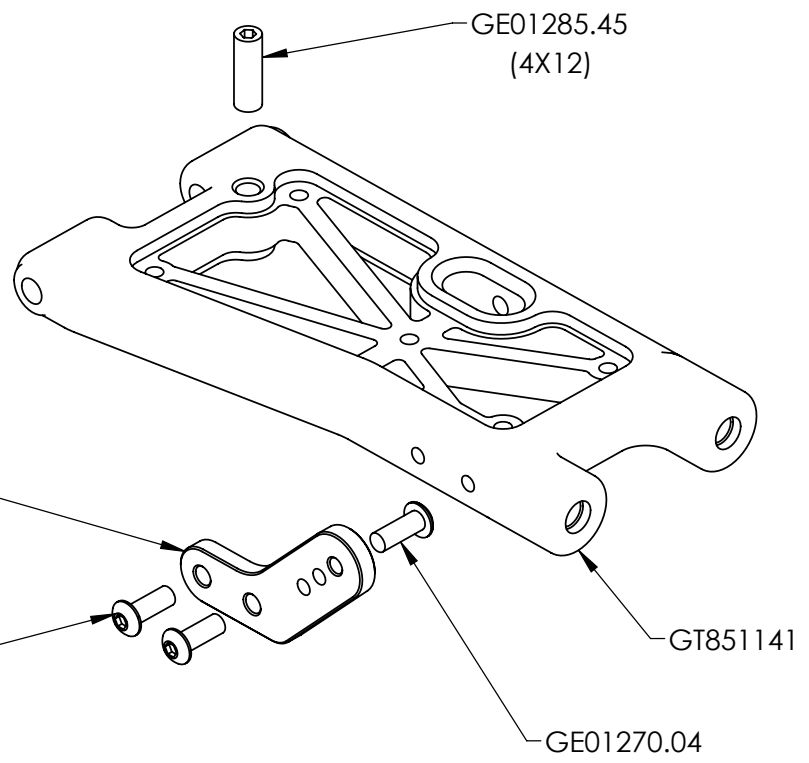
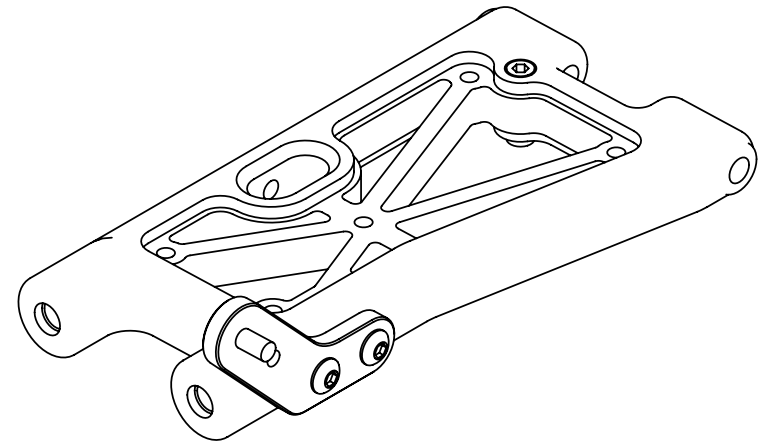
 BAG.6

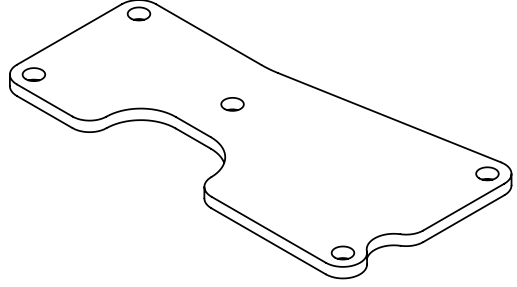
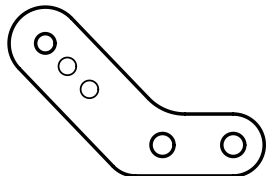
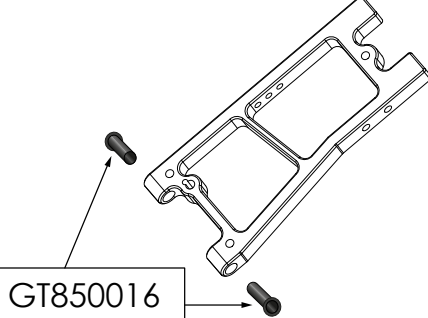


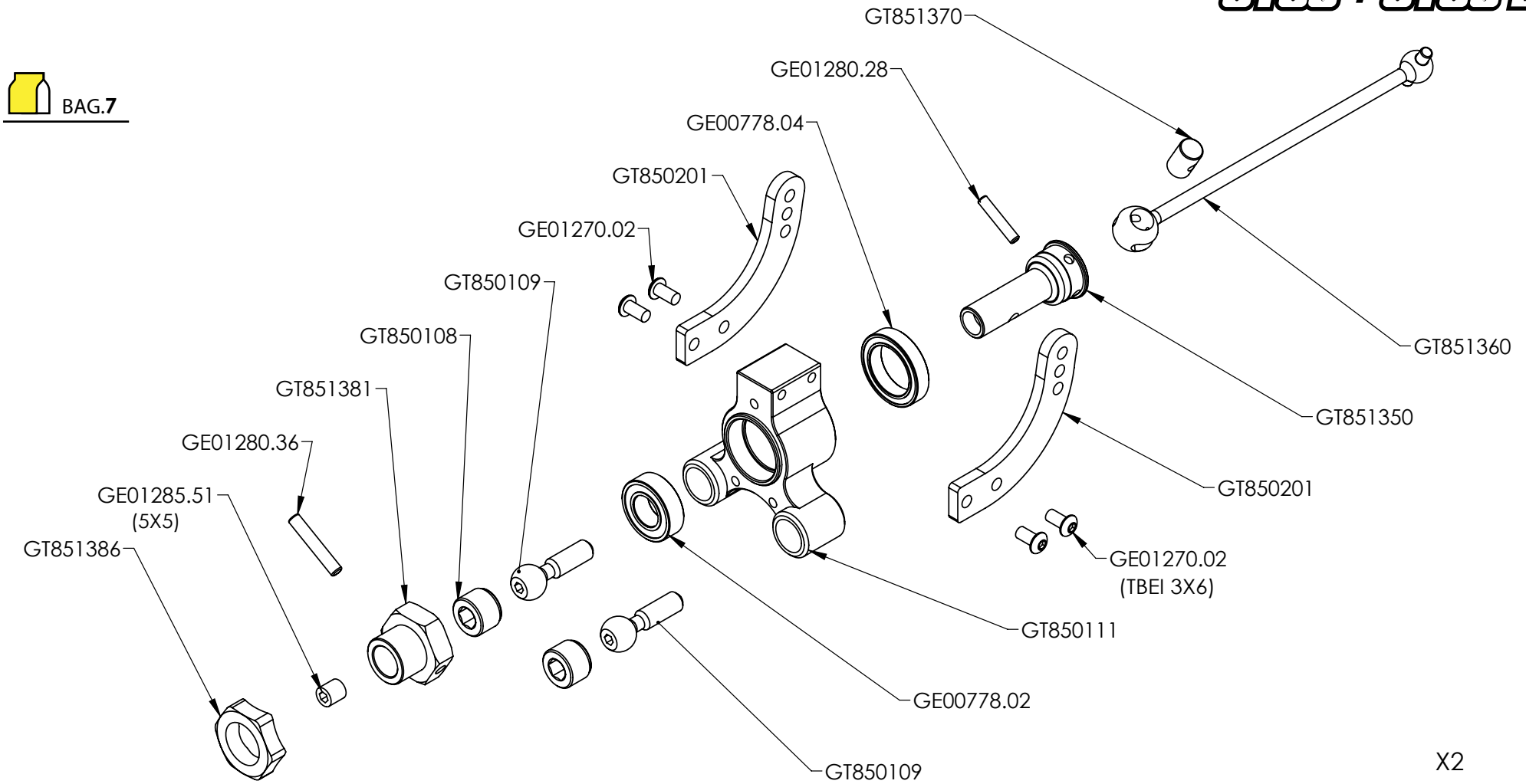
OPTION
GRAPHITE SERVO SAVER REINFORCEMENT
GT850092


LEFT SIDE

RIGHT SIDE



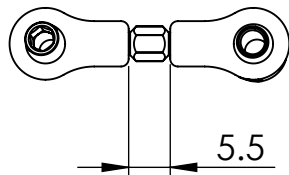
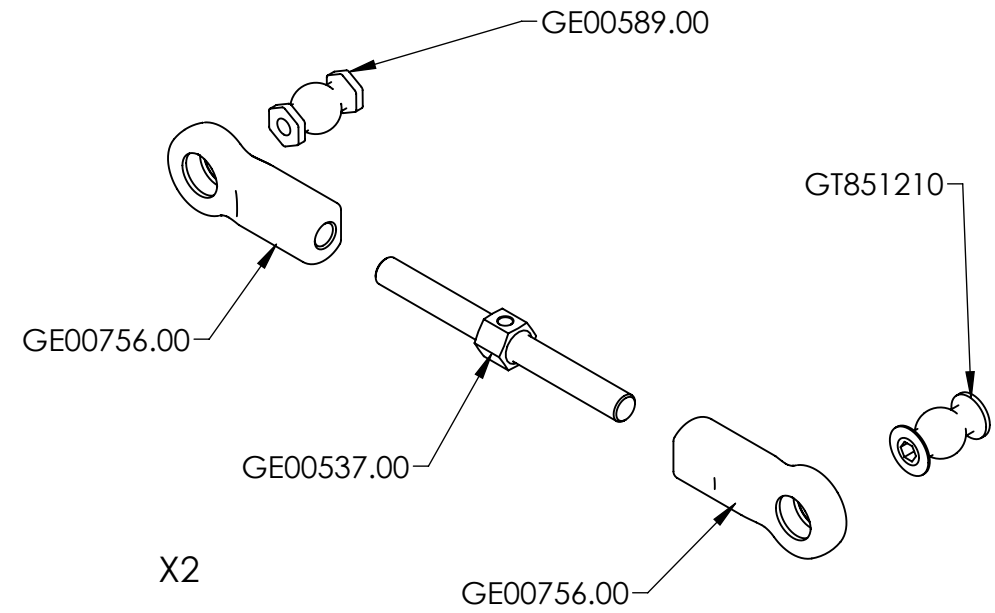
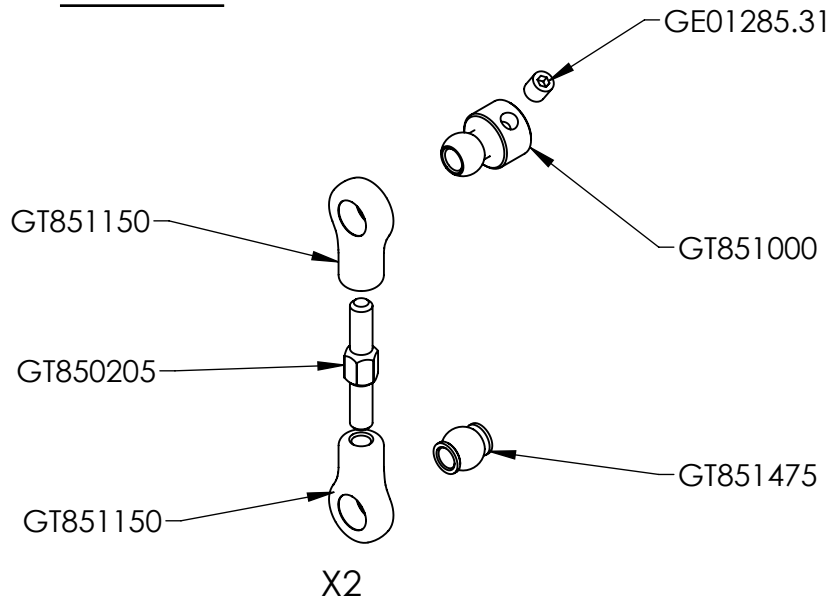
OPTION	OPTION	OPTION
GRAPHITE INSERT REAR LOWER ARM	GRAPHITE SHOCK EXTENTION	ALU REAR LOWER SUSPENSION ARM
GT851142	GT850117	GT851135
		



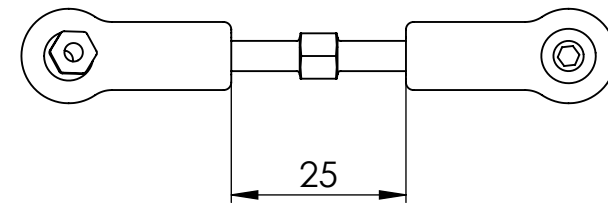
X2

OPTION	OPTION
ALUMINIUM	TITANIUM
GT851351	GT850112

OPTIONS		
GT851381	GT851382	GT851383
+1	+2	+3
DEFAULT		



STANDARD SETTING

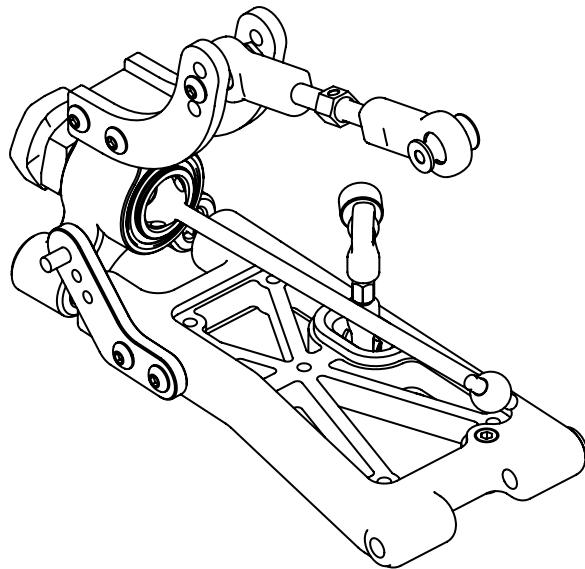


STANDARD SETTING

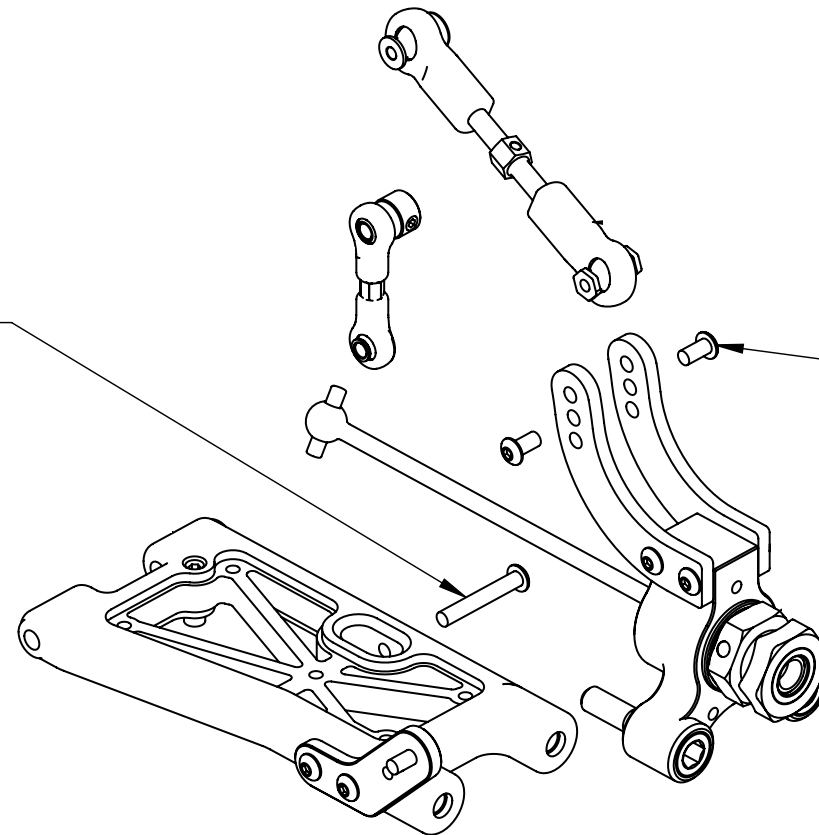


LEFT SIDE

RIGHT SIDE

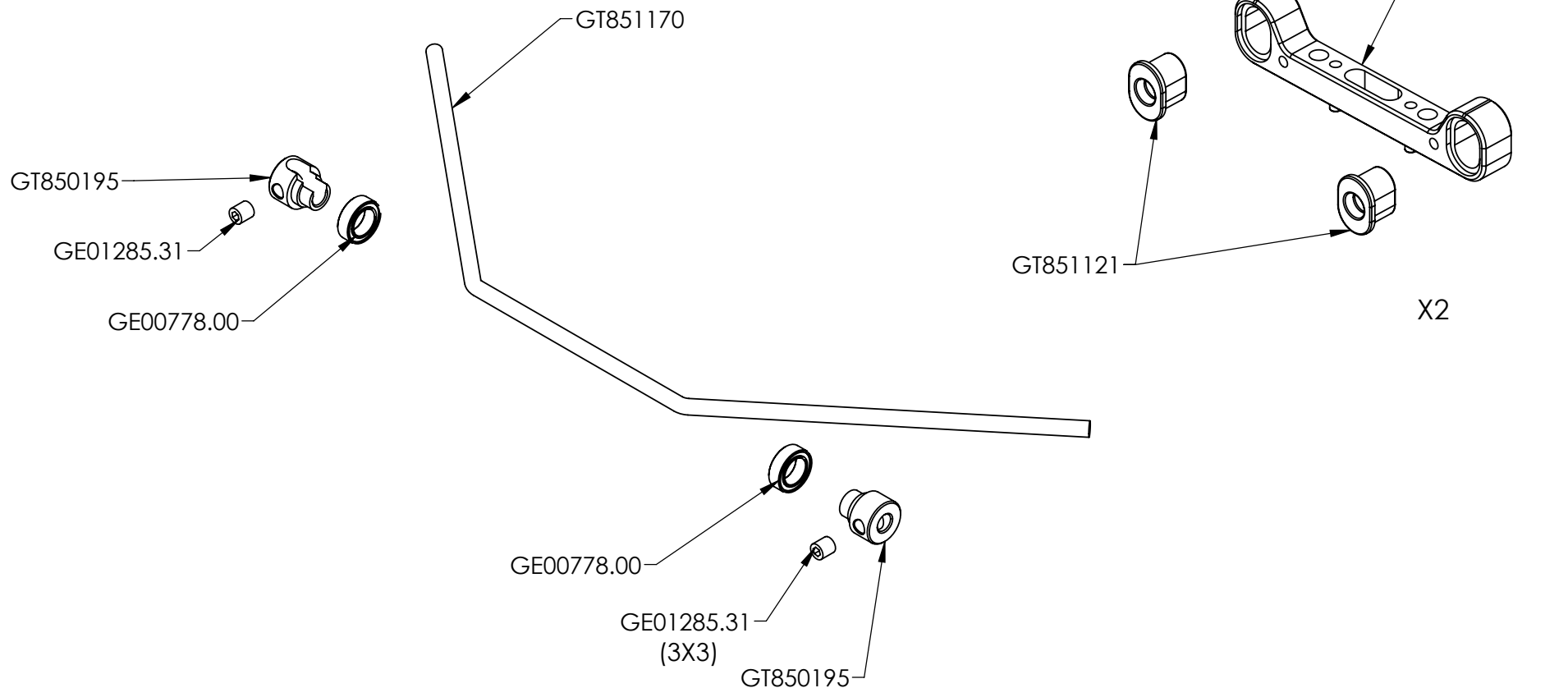



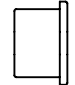
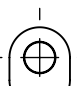

GE01270.20  
(TBEI 3X20)



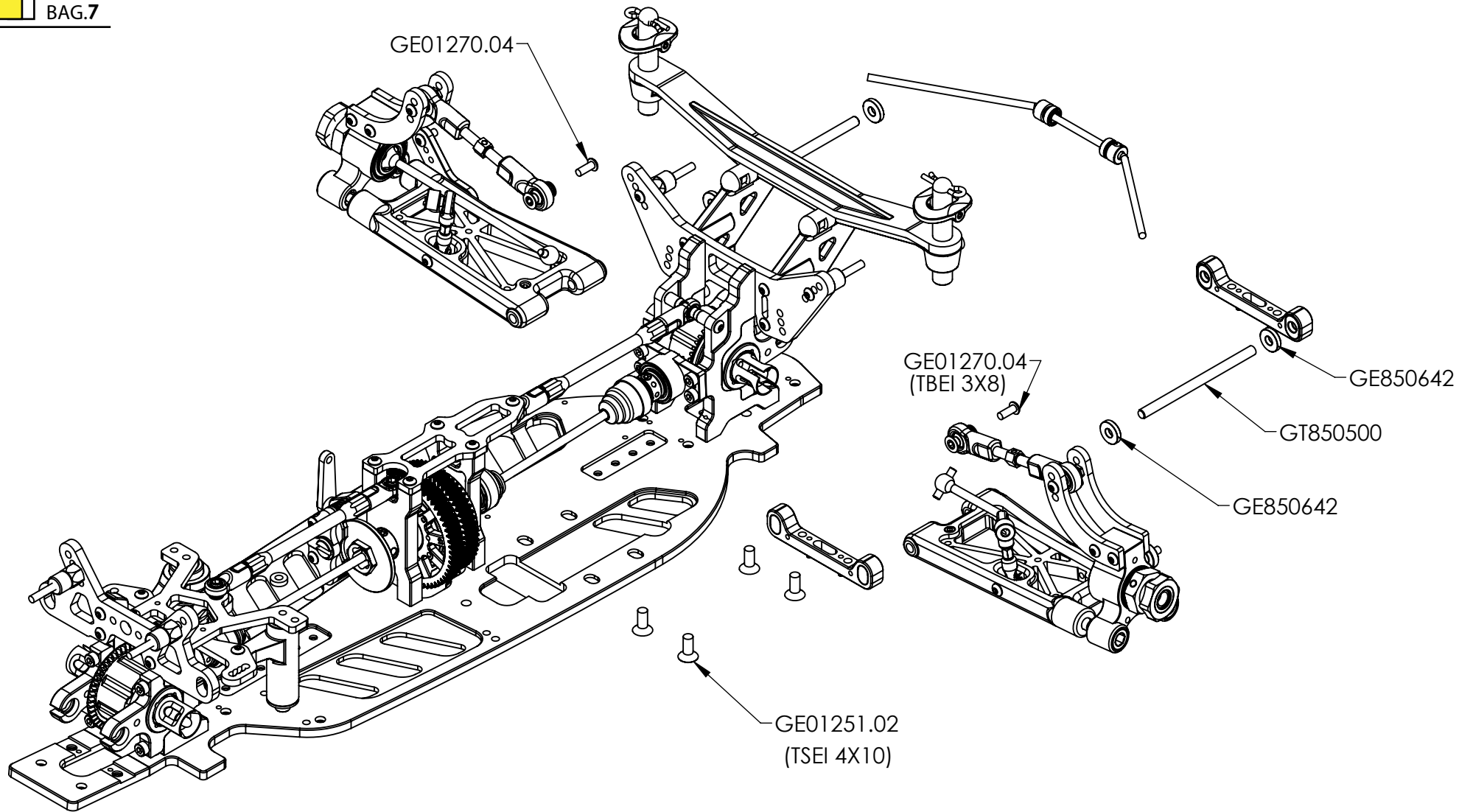
GE01270.02  
(TBEI 3X6)





OPTIONS		SET GT851121	
REAR ANTI ROLL BAR		X4	
GT851166	Ø 2.6 m	 	0
GT851168	Ø 2.8 m	 	+1.5
GT851170	Ø 3.0 m		
GT851172	Ø 3.2 m		

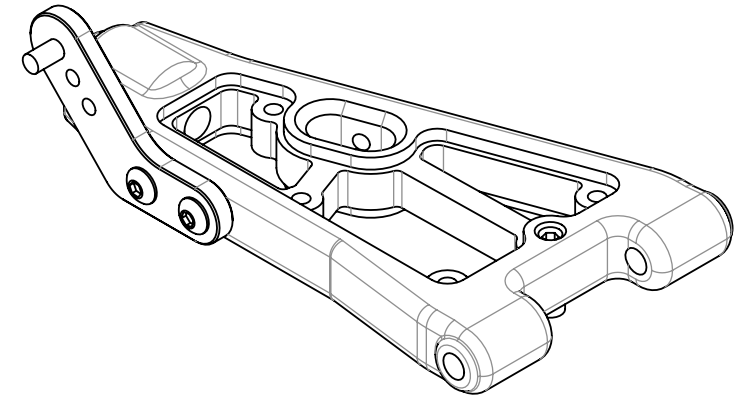
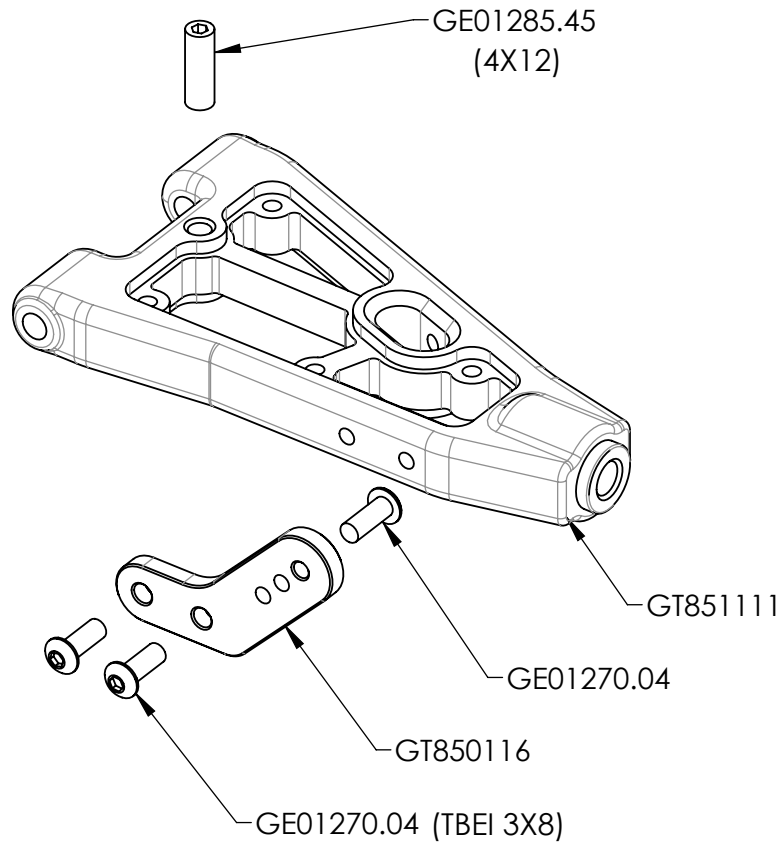
 BAG.7



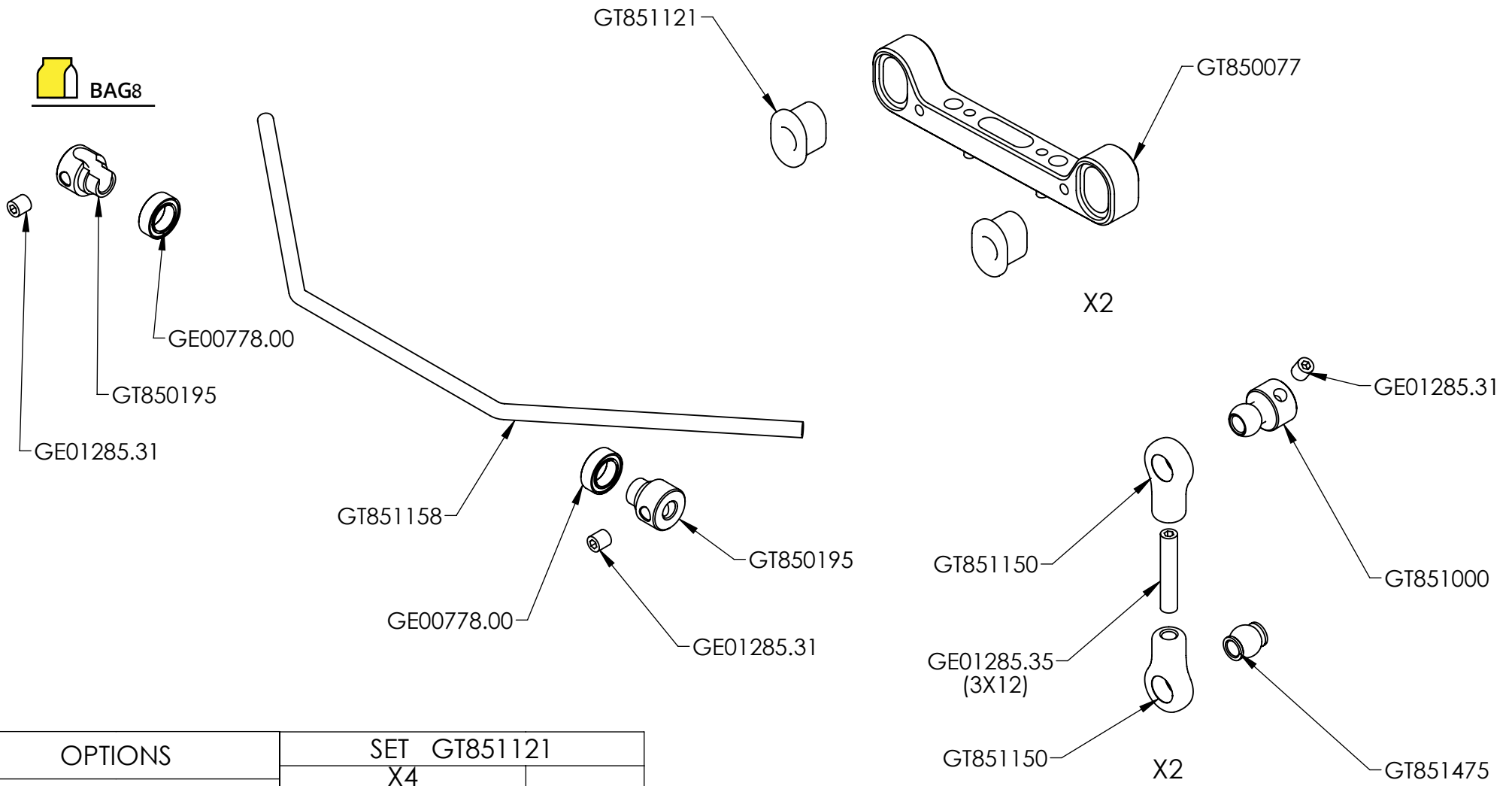


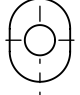
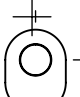
LEFT SIDE

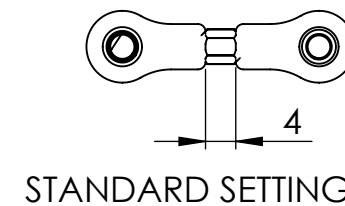
RIGHT SIDE



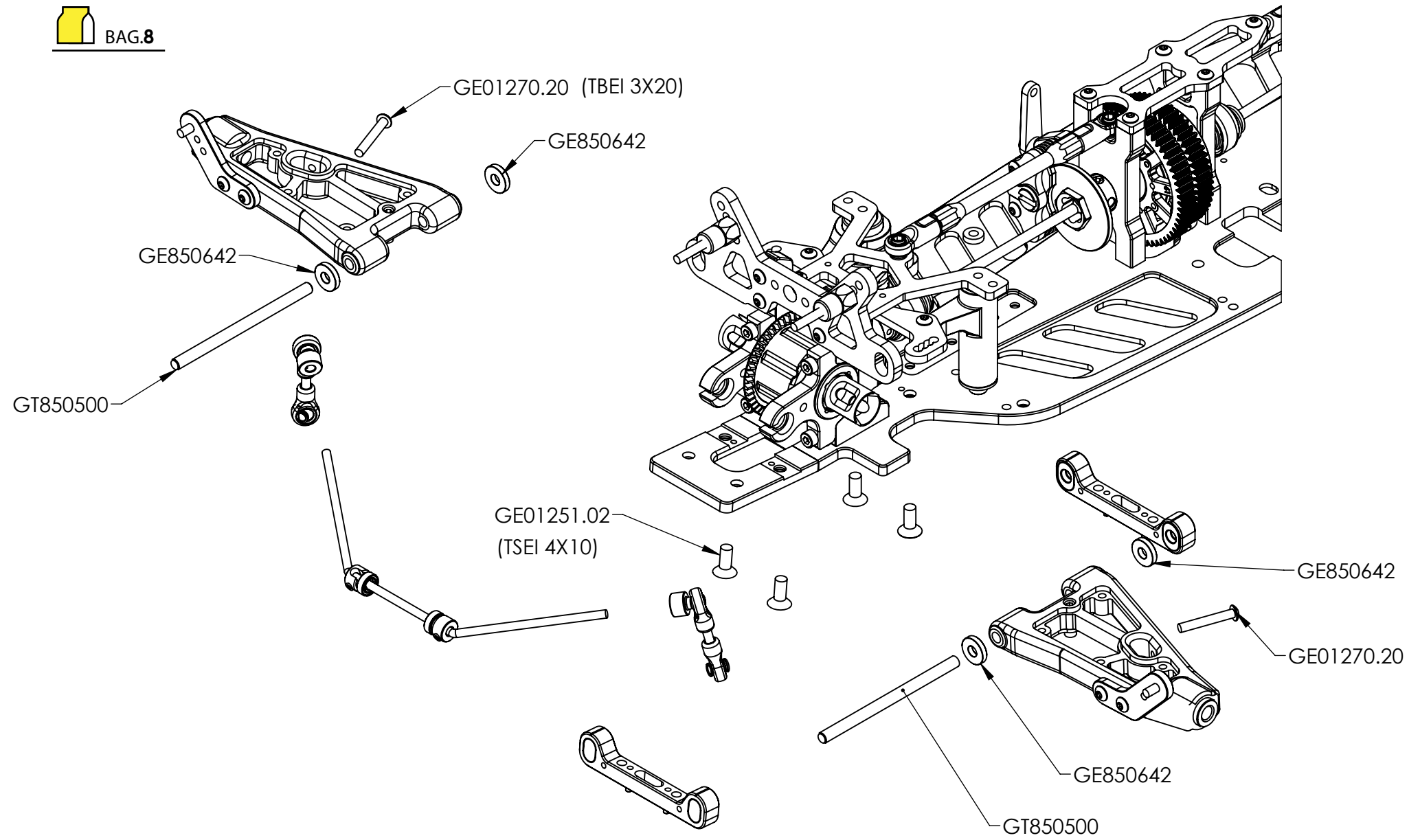
OPTION	OPTION	OPTION
GRAPHITE INSERT FRONT LOWER ARM GT851112	GRAPHITE SHOCK EXTENTION GT850117	ALU FRONT LOWER SUSPENSION ARM GT851109



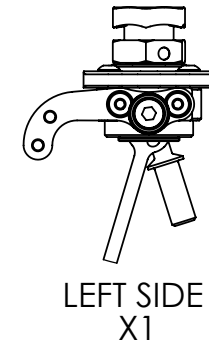
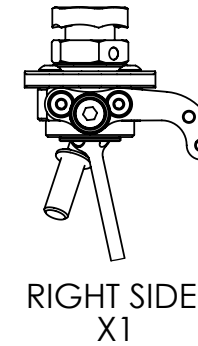
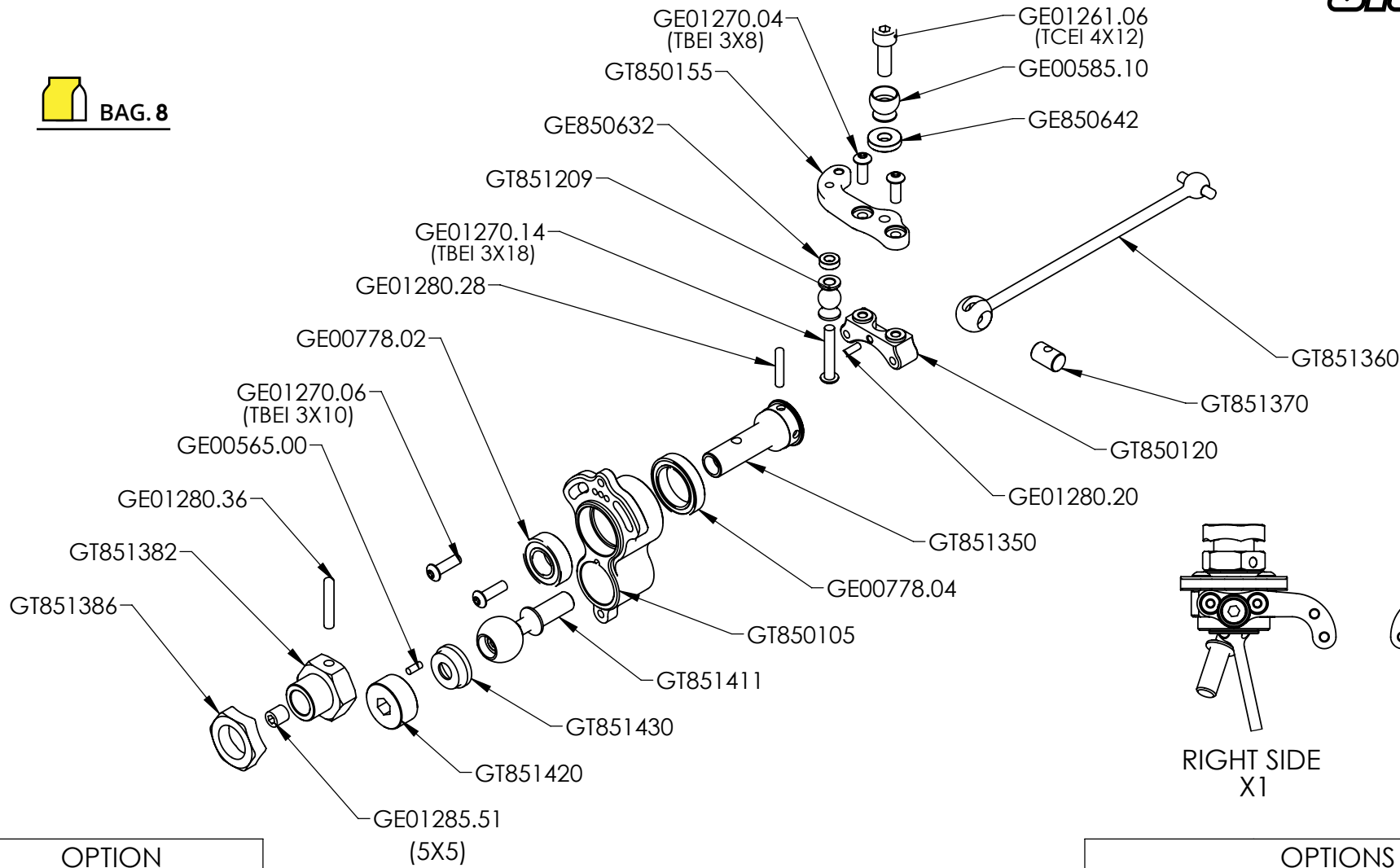
OPTIONS		SET GT851121	
FRONT ANTI ROLL BAR		X4	
GT851154	Ø 2.4 m		0
GT851156	Ø 2.6 m		+1.5
GT851158	Ø 2.8 m		
GT851160	Ø 3.0 m		

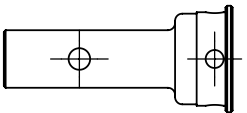


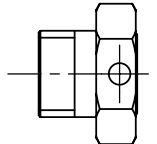
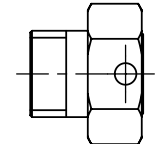
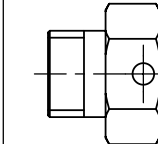
 BAG.8

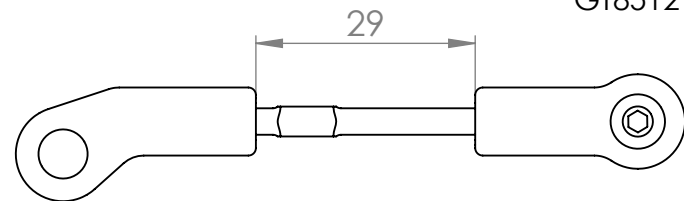
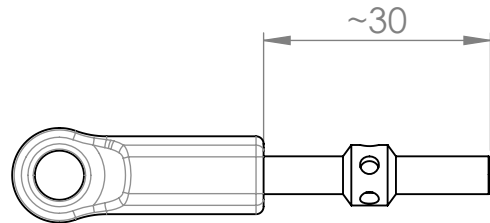
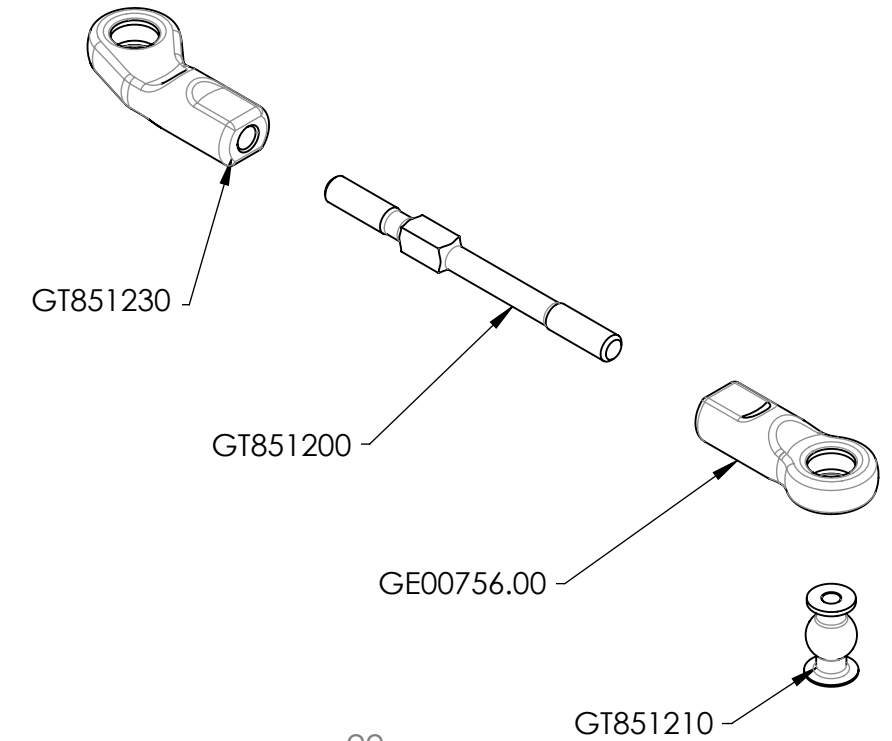
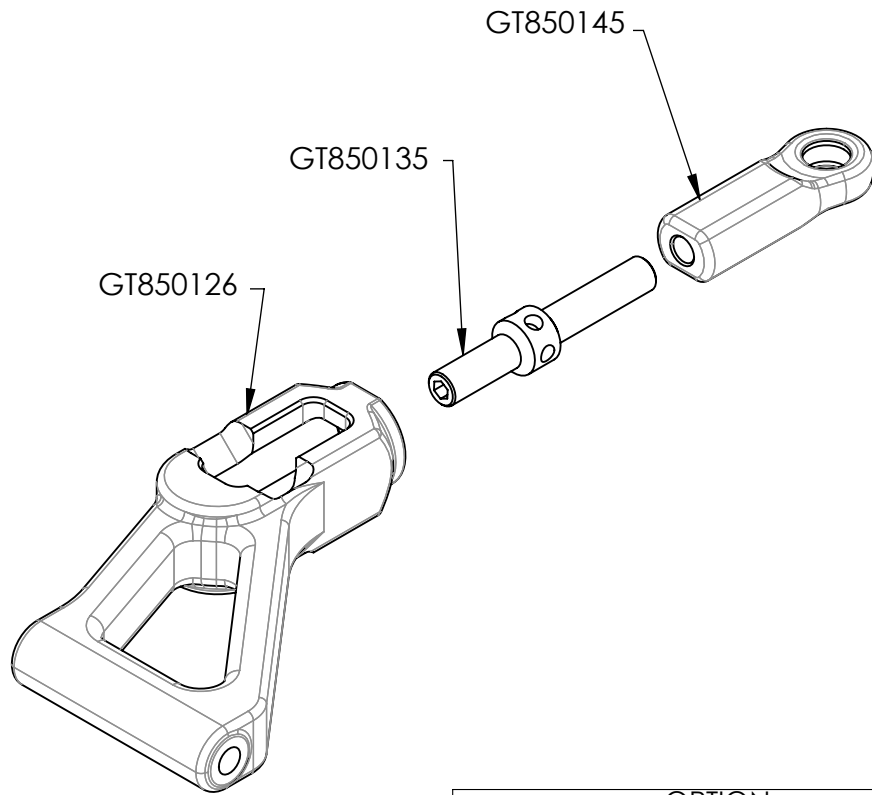


 **BAG. 8**



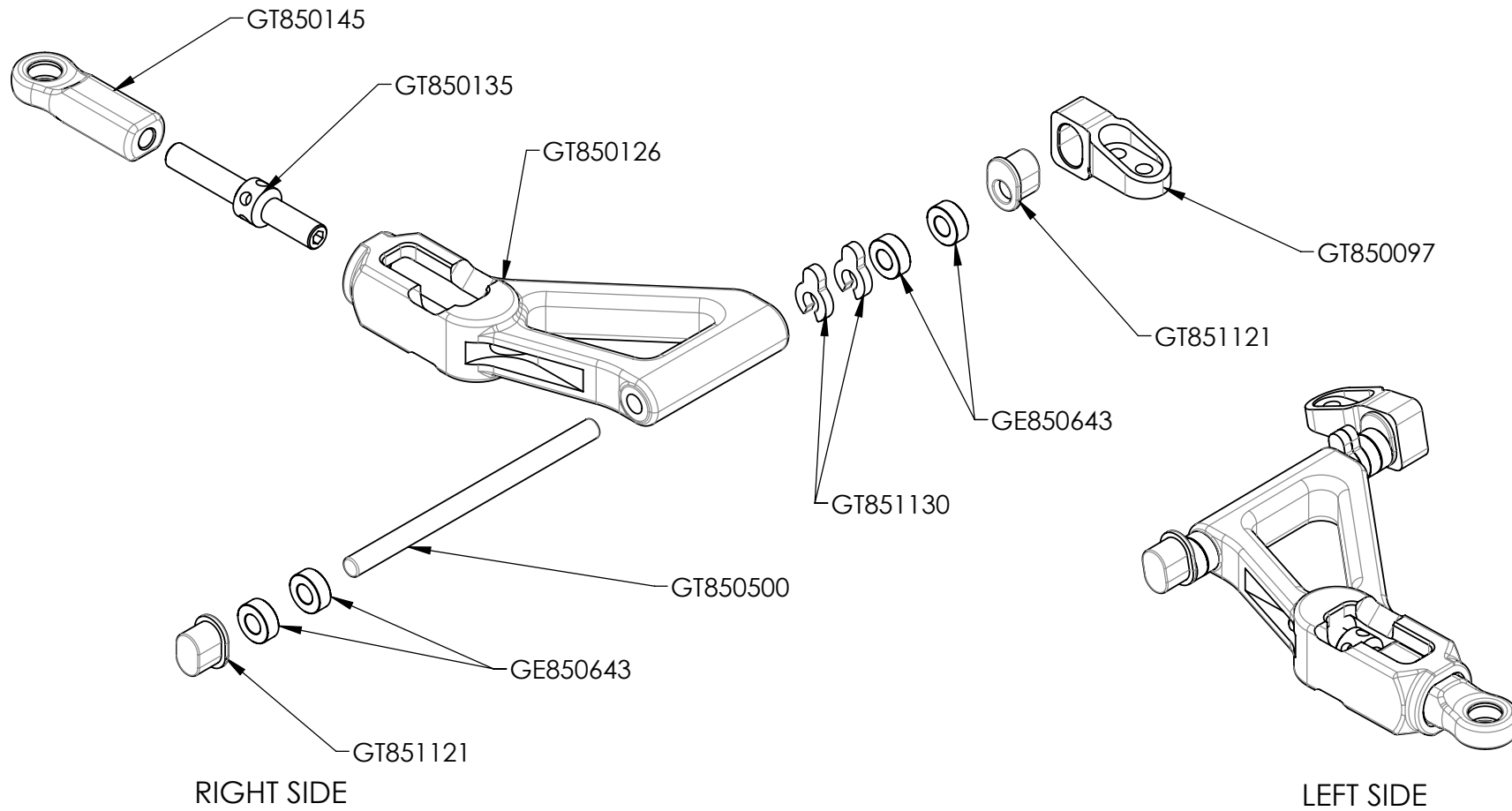
OPTION
ALUMINIUM
GT851351


OPTIONS		
GT851381	GT851382	GT851383
		
+1	+2	+3
DEFAULT		



OPTION
ALU FRONT UPPER SUSPENSION ARM
GT850127

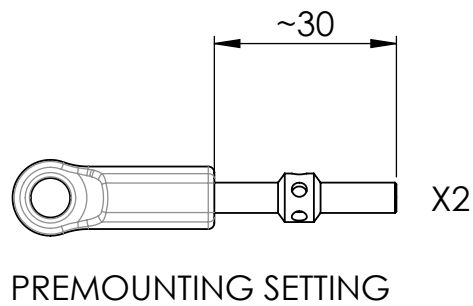
GT850016



RIGHT SIDE

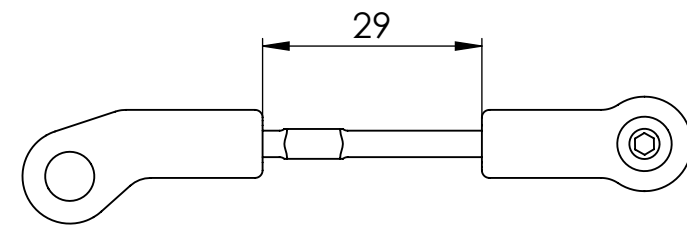
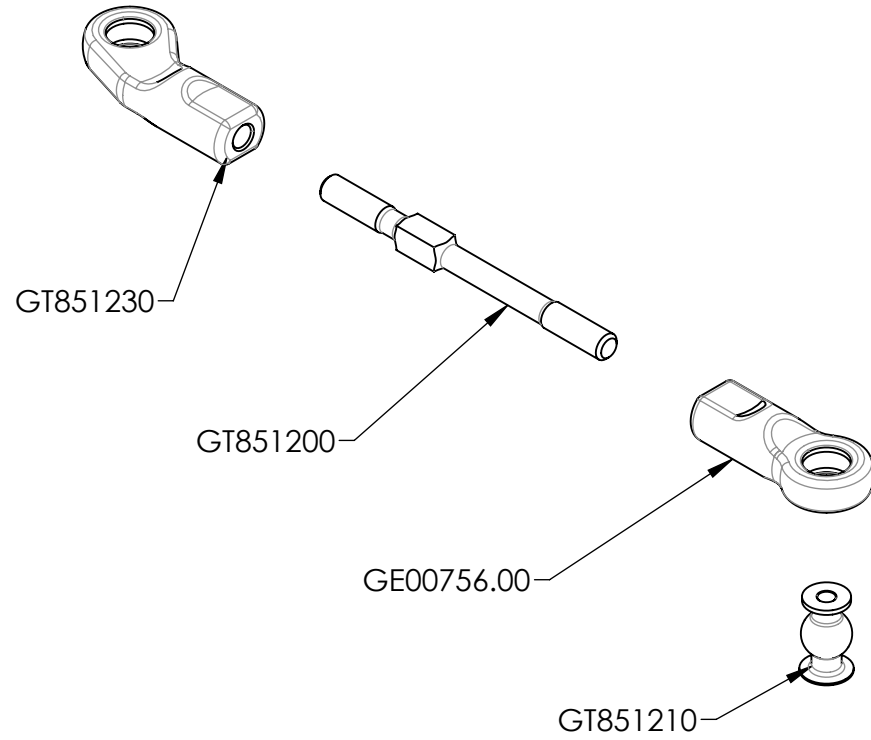
LEFT SIDE

GT851130 SPACERS SET	
2mm	1mm



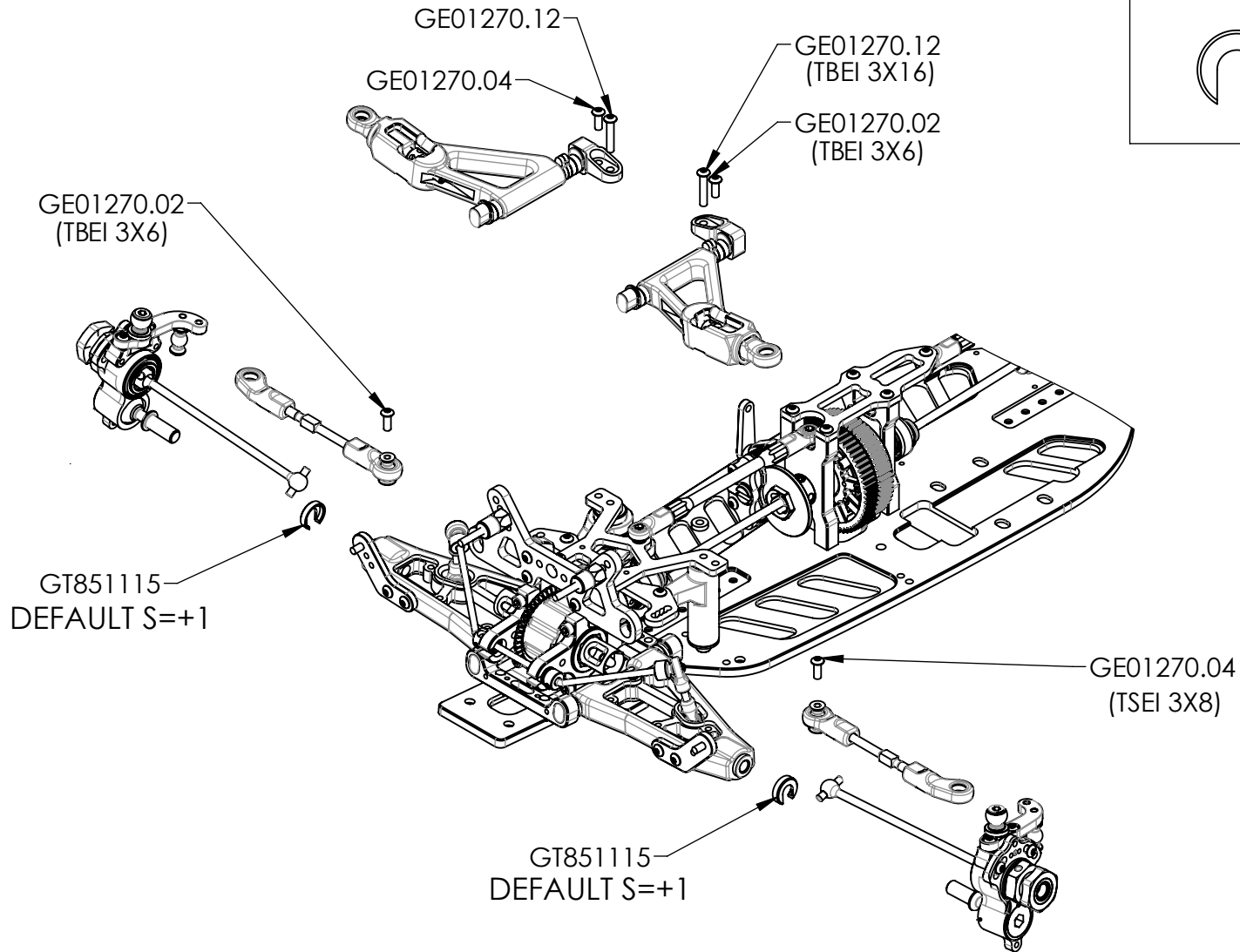
SET GT851121		
X4		0
X4		+1.5

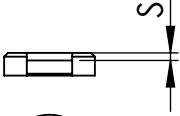





STANDARD SETTING

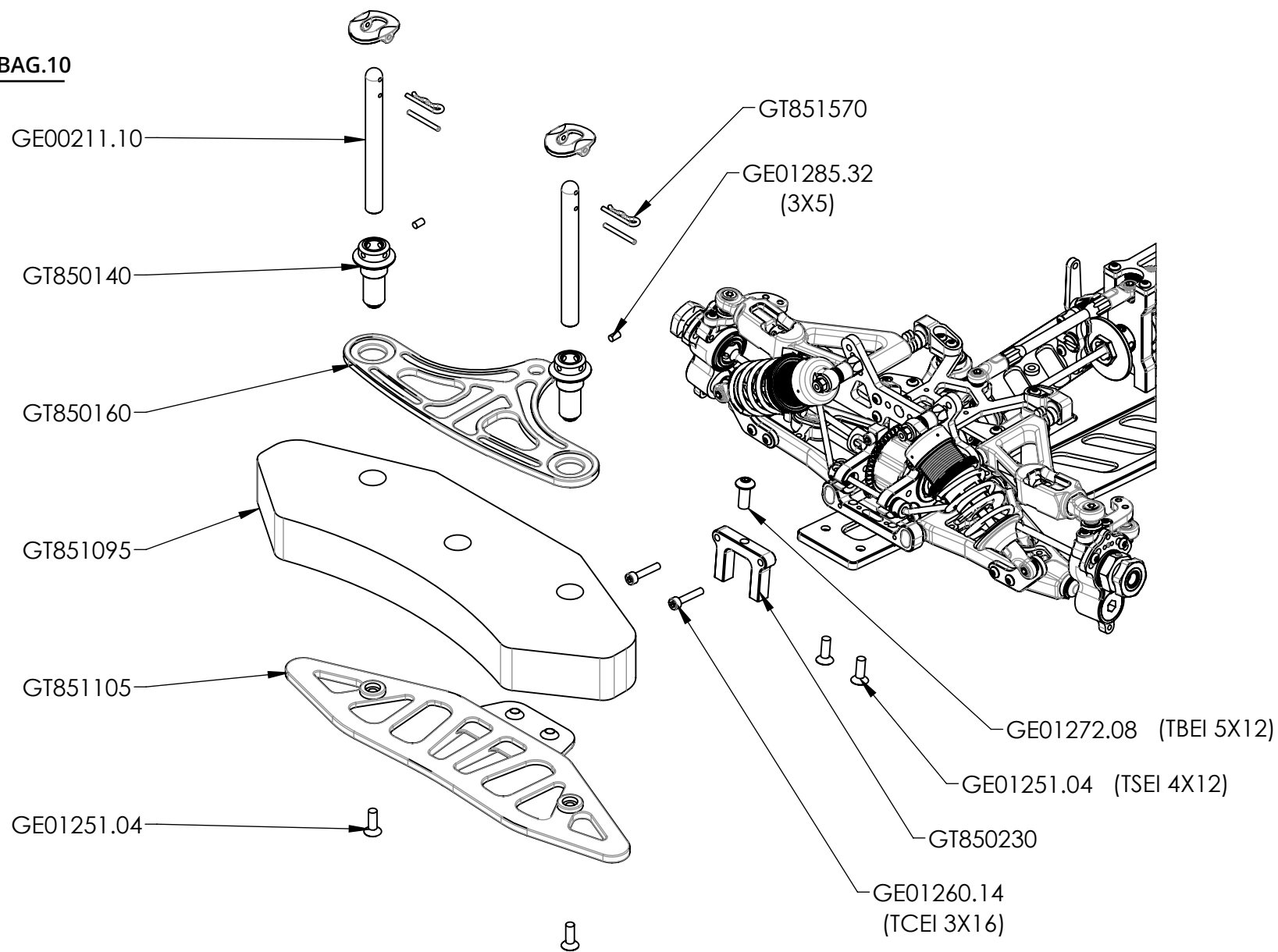
 BAG. 9

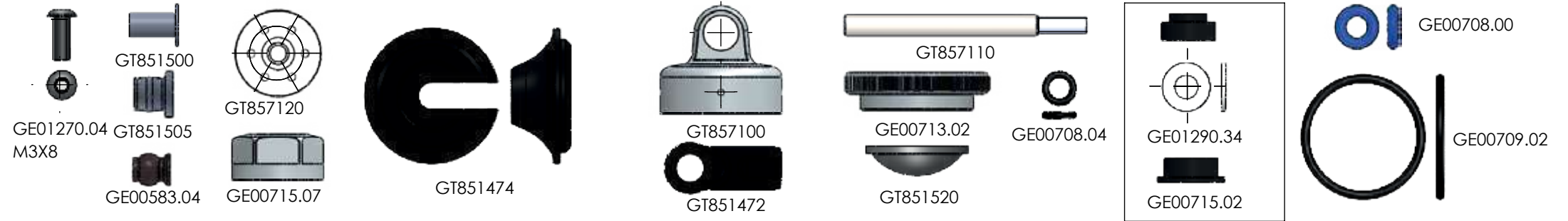
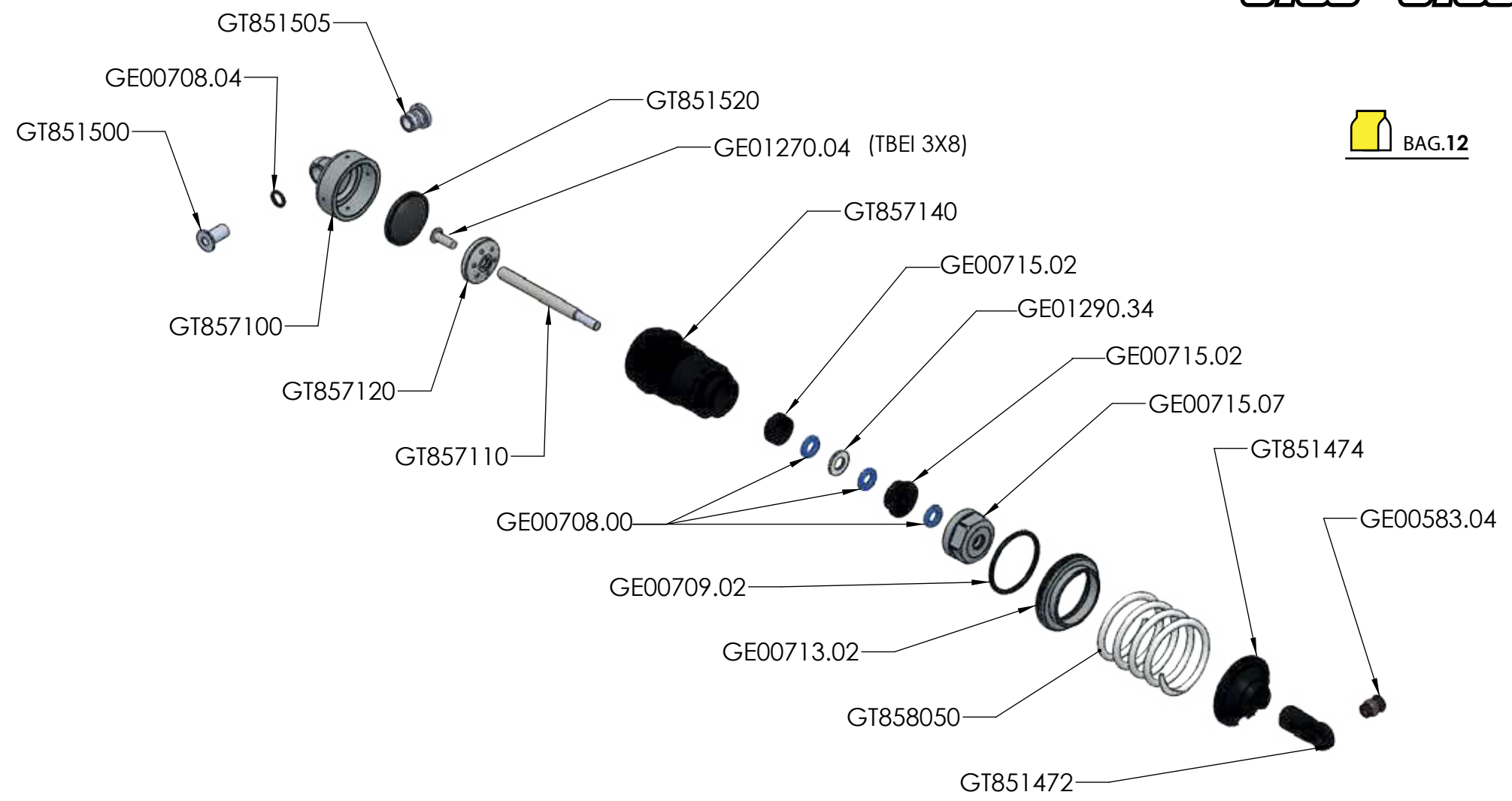


SPECER SET FOR PIVOT BALL GT851115		
	S=+1	X2
	S=+2	X2
	S=+3	X2

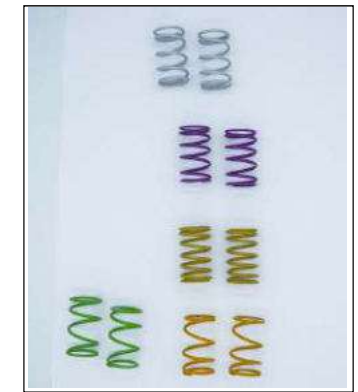
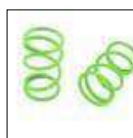
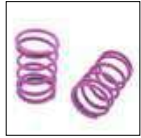
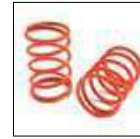


BAG.10





## SPRING



- GT858000 SHOCK SPRINGS SET..... (10)
- GT858040 SHOCK SPRINGS BLACK..... 4.0 COILS - HARD (2)
- GT858045 SHOCK SPRINGS BLUE..... 4.5 COILS - MEDIUM/HARD (2)
- GT858050 SHOCK SPRINGS WHITE..... 5.0 COILS - MEDIUM (2)
- GT858055 SHOCK SPRINGS RED..... 5.5 COILS - MEDIUM/SOFT (2)
- GT858060 SHOCK SPRINGS YELLOW..... 6.0 COILS - SOFT (2)
- GT858065 SHOCK SPRINGS ORANGE..... 6.5 COILS - SUPER SOFT (2)
- GT858070 SHOCK SPRINGS - Linear - DARK BLUE (2)
- GT858075 SHOCK SPRINGS - Linear - DARK GRAY (2)
- GT858080 SHOCK SPRINGS - Progressive - GOLD (2)
- GT858085 SHOCK SPRINGS - Progressive - PURPLE (2)
- GT858090 SHOCK SPRINGS - Progressive - SILVER (2)
- GT858095 SHOCK SPRINGS - Progressive - OCRA (2)
- GT858100 SHOCK SPRINGS - Progressive - GREEN FLUO (2)
- GT858001 SHOCK SPRINGS SET.....KIT LINEAR (8)
- GT858002 SHOCK SPRINGS SET .....KIT PROGRESSIVE (5)



## SILICONE OIL

- GE04000.30 SILICONE OIL 300CST.....60ML
- GE04000.40 SILICONE OIL 400CST.....60ML
- GE04000.50 SILICONE OIL 500CST.....60ML
- GE04000.60 SILICONE OIL 600CST.....60ML
- GE04000.70 SILICONE OIL 700CST.....60ML
- GE04000.80 SILICONE OIL 800CST.....60ML
- GE04001.00 SILICONE OIL 1.000CST.....60ML
- GE04002.00 SILICONE OIL 2.000CST.....60ML
- GE04003.00 SILICONE OIL 3.000CST.....60ML
- GE04004.00 SILICONE OIL 4.000CST.....60ML
- GE04005.00 SILICONE OIL 5.000CST.....60ML
- GE04006.00 SILICONE OIL 6.000CST.....60ML
- GE04007.00 SILICONE OIL 7.000CST.....60ML

- GE04008.00 SILICONE OIL 8.000CST .....60ML
- GE04009.00 SILICONE OIL 9.000CST .....60ML
- GE04010.00 SILICONE OIL 10.000CST .....60ML
- GE04020.00 SILICONE OIL 20.000CST .....60ML
- GE04030.00 SILICONE OIL 30.000CST .....60ML
- GE04050.00 SILICONE OIL 50.000CST .....60ML
- GE04060.00 SILICONE OIL 60.000CST .....60ML
- GE04100.00 SILICONE OIL 100.000CST.....60ML
- GE04200.00 SILICONE OIL 200.000CST.....60ML
- GE04300.00 SILICONE OIL 300.000CST.....60ML
- GE04500.00 SILICONE OIL 500.000CST.....60ML
- GE04990.00 SILICONE OIL 1.000.000CST...60ML

# GENIUS springs

GT8 & Genius XR4.22

1:5 F1 & XR-XR4 EVO

linear

progressive

biconical

soft

soft

orange  
GT858065



gold  
GT858080



yellow  
GE00766.00



yellow  
GT858060



pink  
GT858082



black  
GE00768.00



red  
GT858055



purple  
GT858085



silver  
GE00759.01



green fluo  
GE00769.04



white  
GT858050



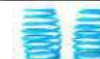
silver  
GT858090



orange  
GE00769.03



light blue  
GE00767.00



dark blue  
GT858070



ocra  
GT858095



green  
GE00760.01



gold  
GE00761.01



blue  
GT858045



red  
GE00769.00



dark gray  
GT858075



green fluo  
GT858100



white  
GE00769.01



pink  
GE00769.02

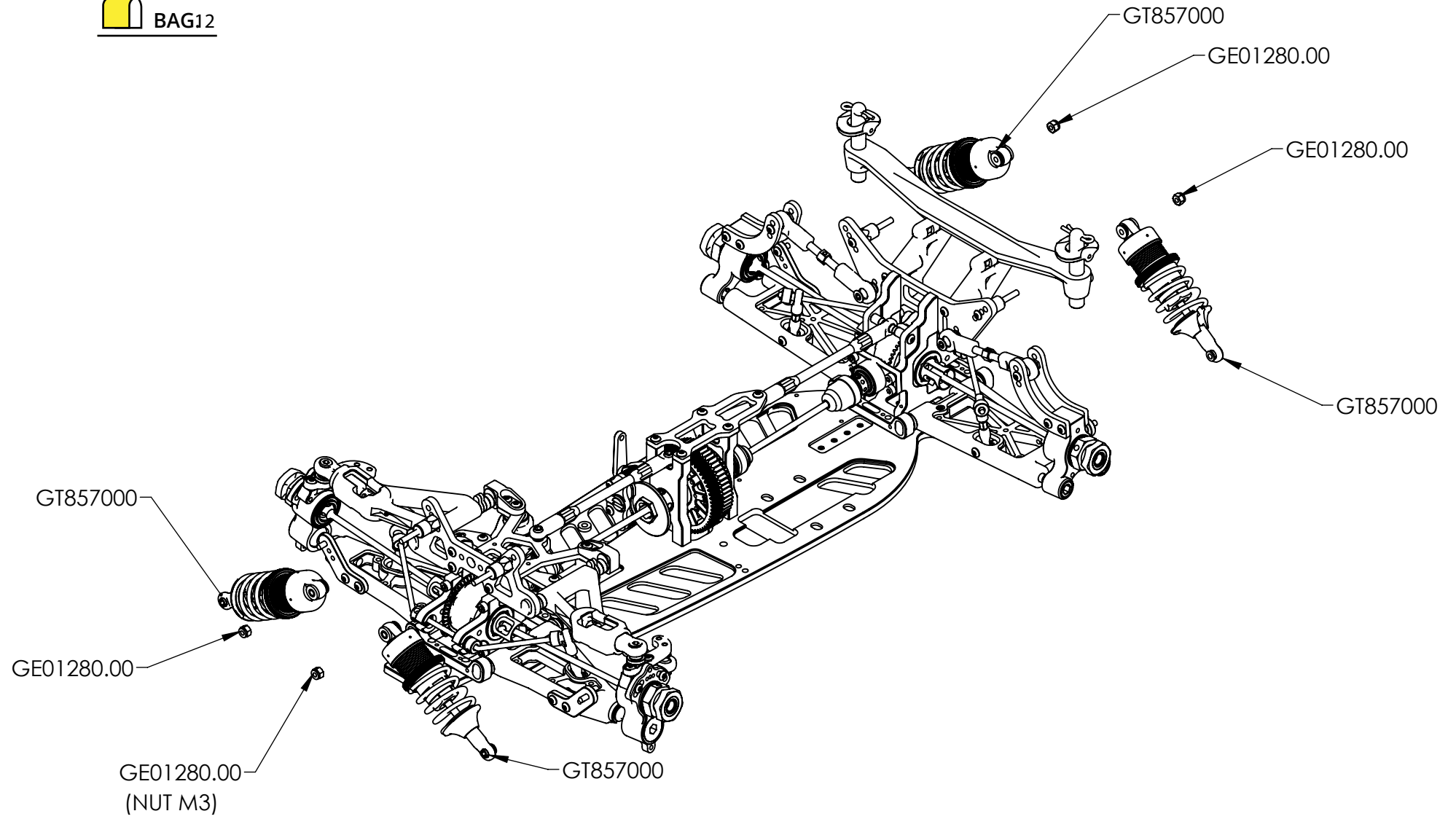


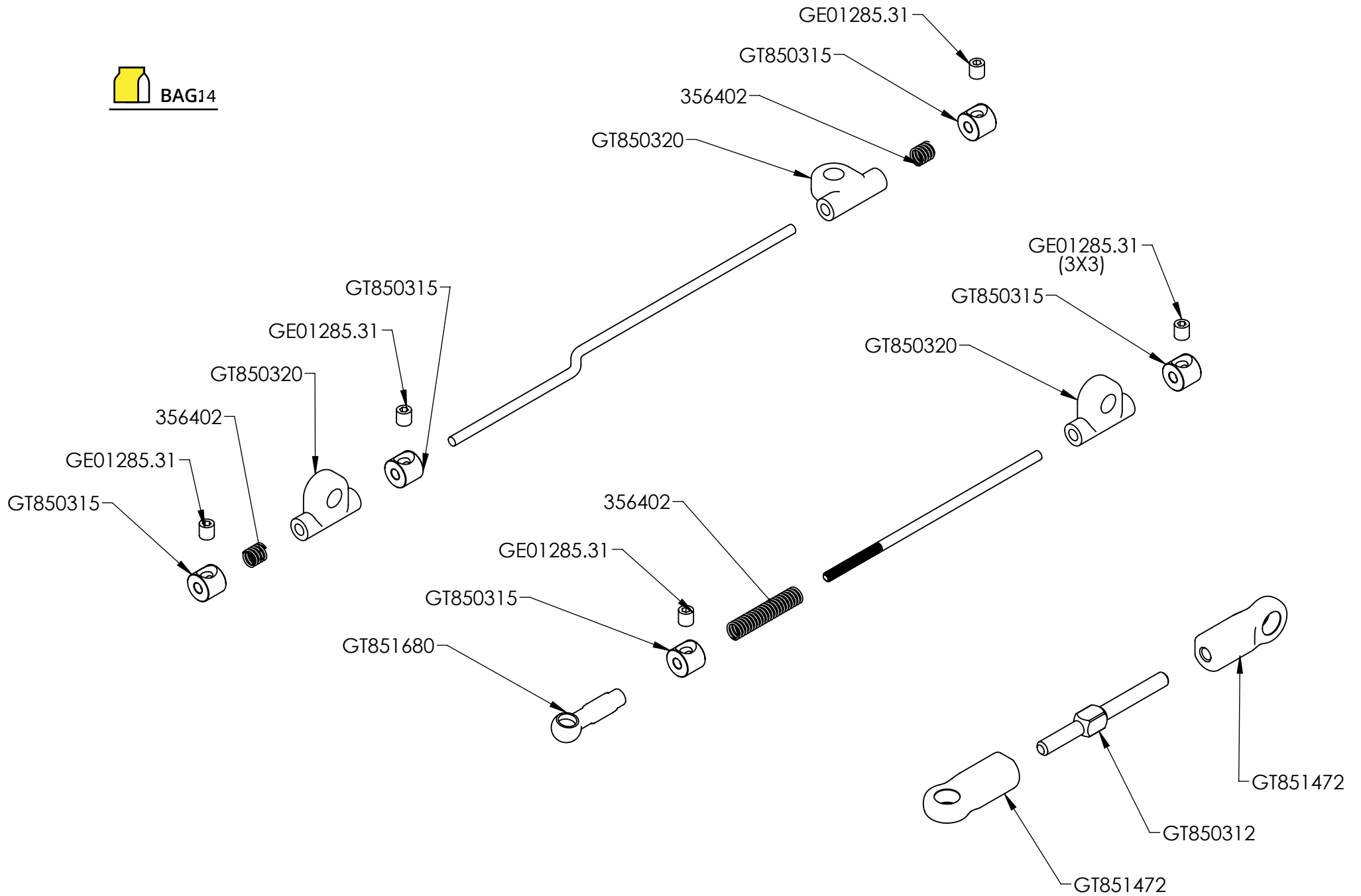
black  
GT858040



hard

hard









GE01270.02  
(TBEI 3X6)

GT850353

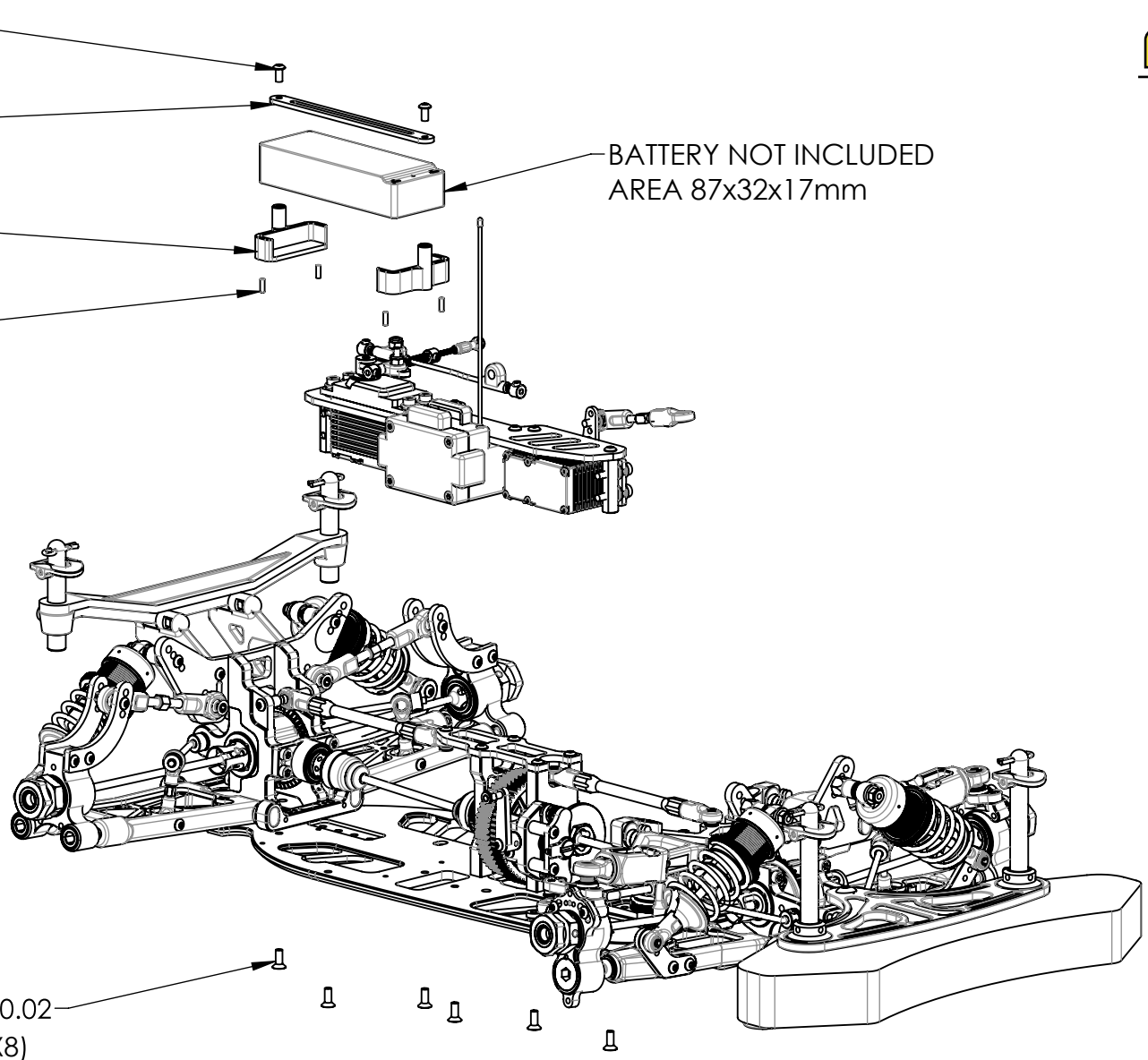
GT850352

GE01280.20

BATTERY NOT INCLUDED  
AREA 87x32x17mm

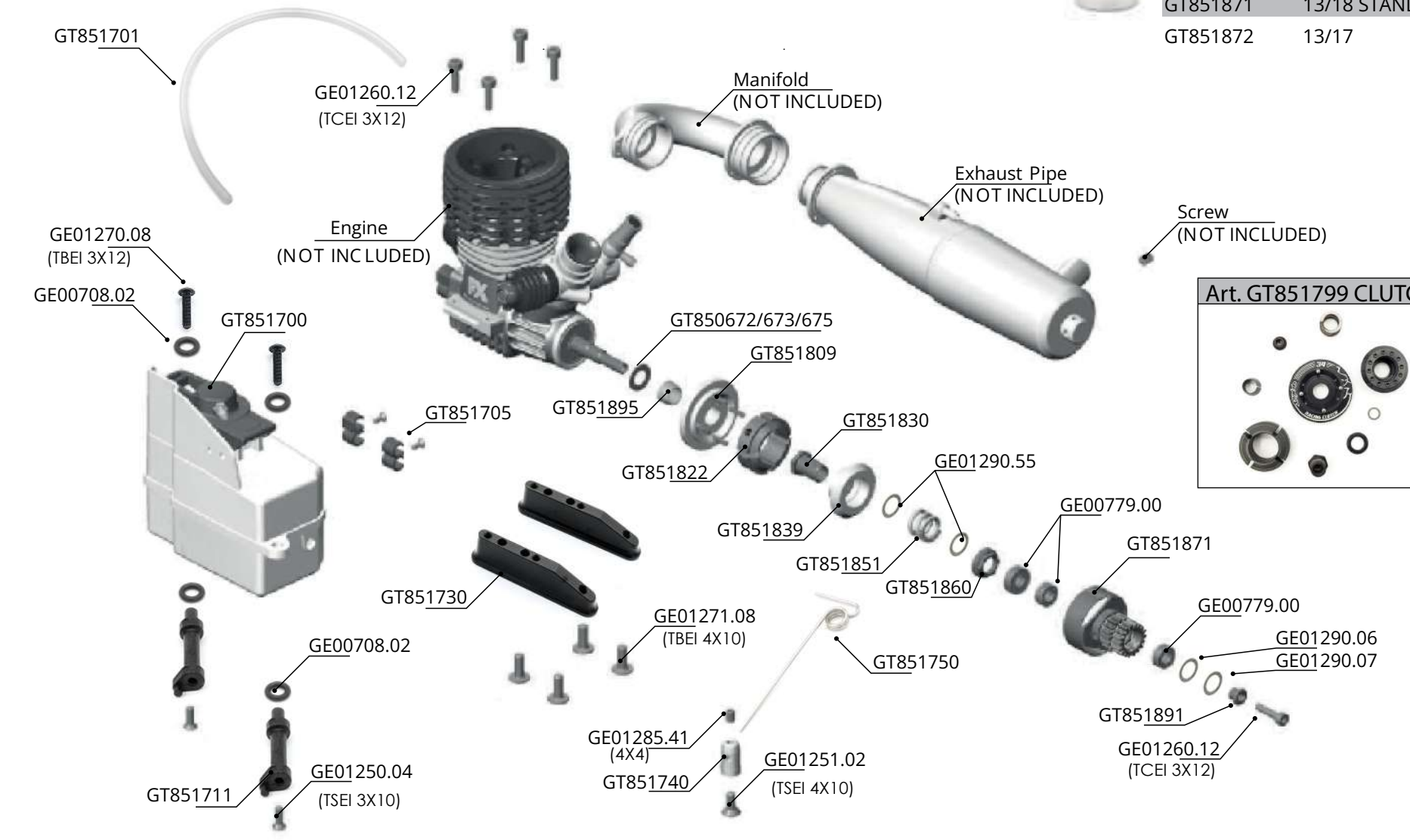


GE01250.02  
(TSEI 3X8)



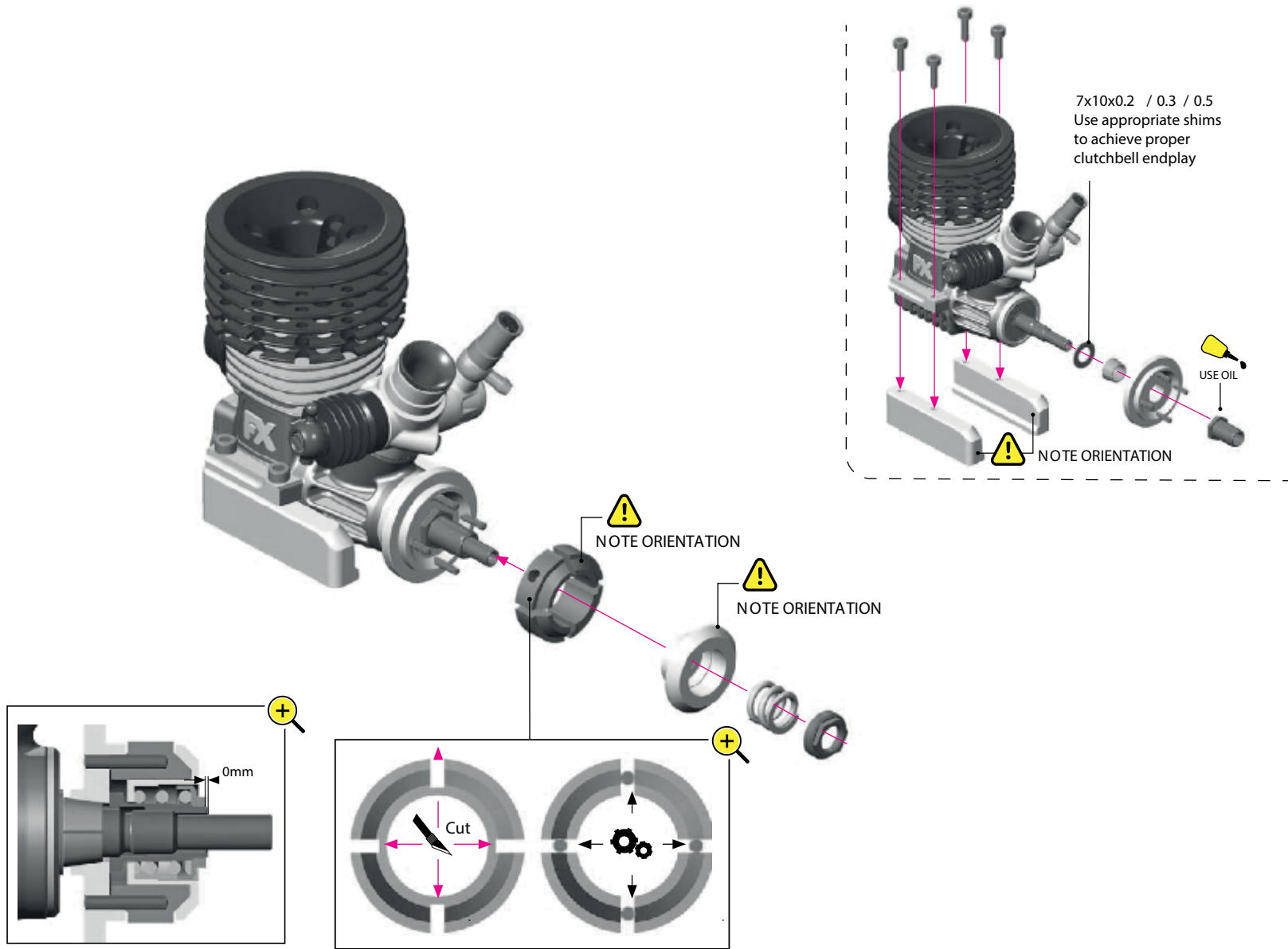


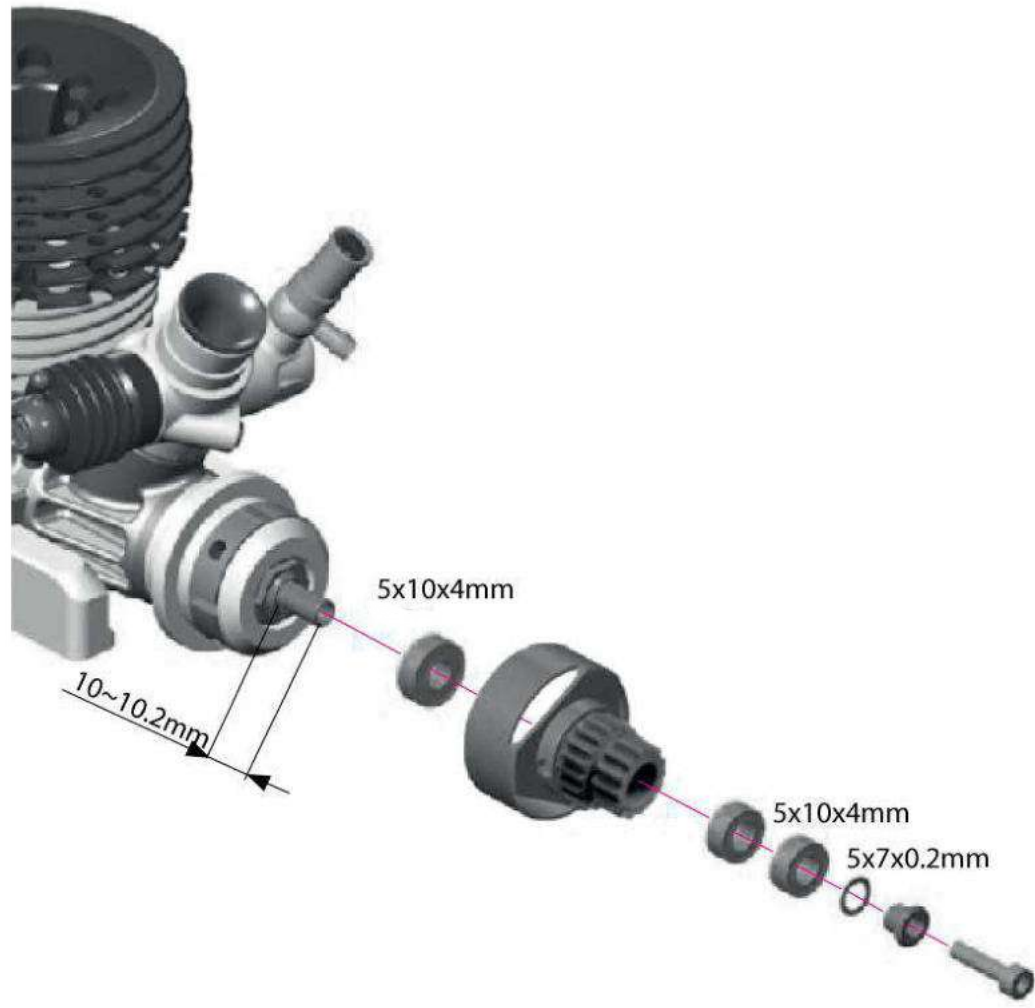
BAG15



2022	VERSION
GT851873	14/19
GT851874	14/18
GT851871	13/18 STANDARD
GT851872	13/17







OPTIONAL	
	GT851872 CLUTCH BELL ALU LIGHT 13/17
	GT851874 CLUTCH BELL ALU LIGHT 14/18
	GT851871 CLUTCH BELL ALU LIGHT 13/18

# OPTIONALS *GTCB*

## AERO SERIES



GT859006  
GRAPHITE  
AERODYNAMIC DISC SET

## LIGHT SERIES



GT851411  
STEEL PIVOT BALL ALU LIGHT  
13,7 MM



GT850313  
ADJ STEERING TITANIUM LIGHT 3x35



GT851211  
BALL STUD 6,8MM  
WITH BACK STOP M3 ALU



GT851212  
BALL STUD 6,8MM  
WITH BACK STOP Ø3 ALU



GT850161  
CARBON GRAPHITE BUMPER PLATE



GT850136  
ADJ FROONT ARM TURNBUCKLE  
M5 TITANIUM



GT859025  
WEIGHTS 10 GR



GT859000  
GRAPHITE SERVO GUARD



GT859020  
BALANCE BRASS WEIGHT  
ADJUSTABLE 30 GR + 12 GR



**MODELTEK**

di Noacco Zeno,

Via Madonna di Strada, 34

33048 San Giovanni al Natisone

(UD) Italia

+39 0432 1849976

info@genius-racing.com

**[www.modetekshop.com](http://www.modetekshop.com)**

**[www.genius-racing.com](http://www.genius-racing.com)**

** GeniusRacingXR**